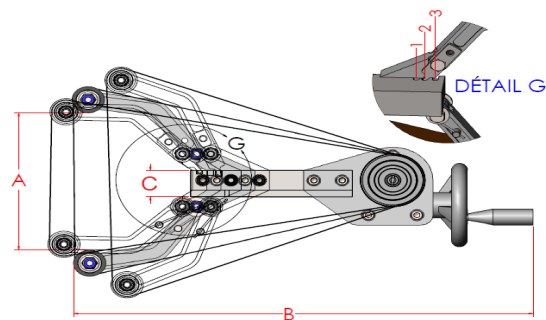
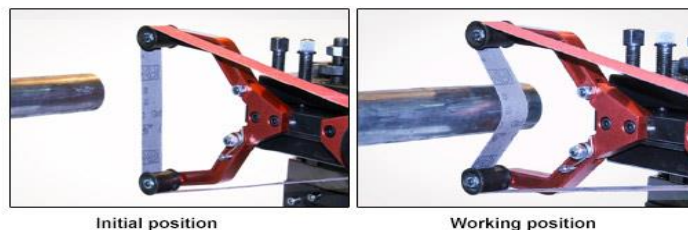


1775 Meyerside Drive, Unit 1, Mississauga, ON L5T 1E2
 Tel: 905-696-8582 Fax: 905-696-8835 Toll free: 1-800-668-4803

New Product Promotion

Forward is pleased to announce a new safety product for your lathe sanding operations. Holding strips of sanding paper over a rotating bar in a lathe chuck is not the most safe or efficient way to perform that task. Introducing the **SANDING BELT HOLDER** a product manufactured in Canada by a renowned supplier of guards and work safety equipment for industrial machinery. Set it up in your tool post and sand accurately and safely.



Model	Positions	A	B	C	Belt
MST SBH 1.0	1	6 -1/2"	13-1/4"	1	1"x36"
	2	5"	14"	1	1"x36"
	3	4"	14-1/4"	1	1"x36"
MST SBH 2.0	1	8-5/8"	14-5/8"	1	2"x36"
	2	7-1/4"	15-5/8"	1	2"x36"
	3	6-5/32"	16-5/8"	1	2"x36"

Forward Precision Tools and Machinery 1775 Meyerside Drive E Unit 1 Mississauga ON L5T 1E2

T. (905)696-8582 F. (905)696-8835 www.forwardprecision.com e Mail: info@forwardprecision.com



MST-SBH1.0

1" x 36" Belt \$675.00



MST-SBH2.0

2"x36" Belt \$870.00

Please ask about our safety guards for lathes, mills, drills, grinders and other machinery.



Forward Precision Tools and Machinery 1775 Meyerside Drive E Unit 1 Mississauga ON L5T 1E2

T. (905)696-8582 F. (905)696-8835 www.forwardprecision.com e Mail: info@forwardprecision.com