



Clausing Radial Drills Models: CL820A

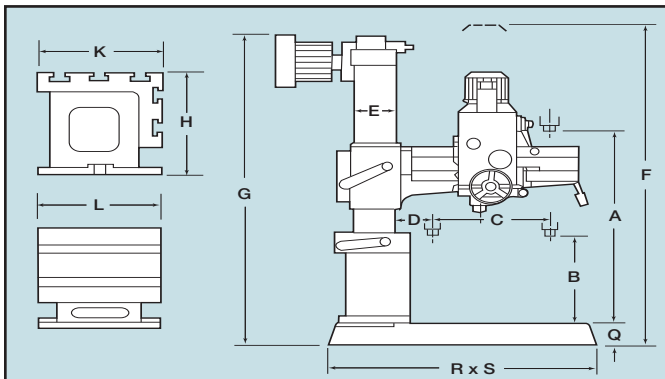
Features and Standard Equipment:

- Limit switch
- High speed gears are made of Nickel-Chrome Steel and are heat-treated and ground for durability
- Powerful 2 Hp spindle drive motor for heavy-duty cutting
- Extra auxiliary dial for spindle feed depth indication, allows review of spindle feed depth, .0394" to 7.874"
- Special spindle balance mechanism, superior to traditional balance mechanism and extends Balance Spring life
- Coolant system
- Low volt and overload protection
- CSA Electrics Standard ● Tool kit and manuals

Specifications:

Model	CL820A
Working Area:	
Column Sleeve Dia. (E)	8.28" (210mm)
Column Face to Spindle Center Maximum (D+C)	33.5" (850mm)
Minimum (D)	8.7" (220mm)
Spindle Head Travel (C)	24.8" (630mm)
Base Surface to Spindle End Maximum (A)	47.6" (1270mm)
Minimum (B)	13.8" (350mm)
Arm Vertical Travel (A-B)	25.2" (640mm)
Arm Rotation (Right & Left)	180°
Baseplate Working Surface	35.5" x 25.3" (902x643mm)
Box Table Area Length (L)	23.6" (600mm)
Width (K)	17.5" (445mm)
Height (H)	15" (380mm)
Base Dimensions Floor Area (R x S)	49.6" x 25.2" (1260x640mm)
Height (Q)	6.5" (160mm)
Drill Head:	
Spindle Taper	4MT
Spindle Stroke	8.66" (220mm)
Quill Diameter	2.95" (75mm)
Number of Spindle Speeds	6
Spindle Speeds (rpm)	88, 154, 282, 455, 796, 1500
Number of Feeds	3
Spindle Feed Rate (in/rev.)	0.002" 0.0035" 0.006" (.05mm), (.09mm), (.15mm)
Spindle Drive Motor	2 hp (1.5 Kw)
Elevating Motor	1 hp (.75 Kw)
Coolant Pump Motor	1/8 hp (.10 Kw)
Dimensions and Weights:	
Max. Machine Height (F)	91.3" (2170mm)
Base and Column Height (G)	79.1" (2010mm)
Shipping Dim. Length	66.1" (1680mm)
Width	32.5" (826mm)
Height	86.2" (2190mm)
Net Weight	2,645 lbs. (1200kg)
Shipping Weight	2,954 lbs. (1340kg)

Dimensions:



Capacities:

Model	CL820A
Capacity:	
Drilling In Steel	1.26" (32mm)
In Cast Iron	2" (50mm)
Tapping In Steel	1" (25mm)
In Cast Iron	1.26" (32mm)
Boring In Steel	2.75" (70mm)
In Cast Iron	4.06" (105mm)