

Clausing Radial Drills

Model: CL1100

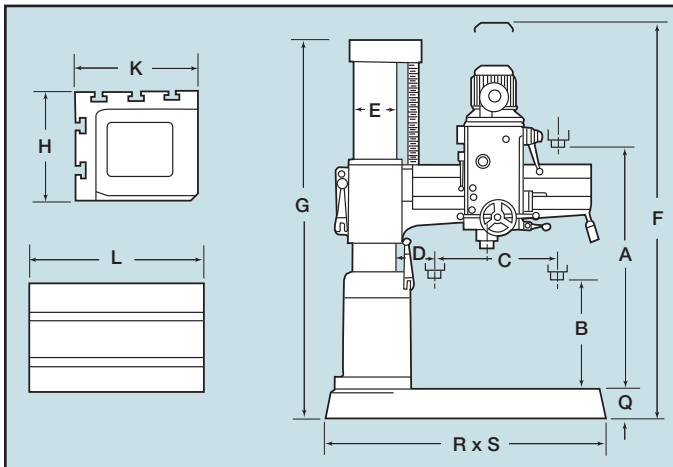
Features and Standard Equipment:

- High-quality cast-iron arm with heat-treated and ground slides for smooth and accurate head positioning
- The bearing bracket for gear-box is fitted with standard bearings to fit arm slide for smooth gear-box operation
- High speed gears are made of Nickel-Chrome Steel and are heat-treated and ground for durability
- Powerful 3 Hp, 2-speed, heavy-duty spindle drive motor
- Overload protection device
- The main spindle is balanced by a specially shaped spring
- Coolant system
- Low volt and overload protection
- CSA Electrics Standard ● Tool kit and manuals

Specifications:

Model	CL1100
Working Area:	
Column Sleeve Dia. (E)	10.24" (260mm)
Column Face to spindle Center	
Maximum (D+C)	43.3" (1100mm)
Minimum (D)	11.0" (280mm)
Spindle Head Travel (C)	32.3" (820mm)
Base Surface to Spindle End	
Maximum (A)	50.0" (1270mm)
Minimum (B)	18.5" (470mm)
Arm Vertical Travel (A-B)	22.4" (570mm)
Arm Rotation (Right & Left)	180°
Baseplate Working Surface	48" x 29.1"(1219 x 739mm)
Box Table Area	
Length (L)	25.0" (635mm)
Width (K)	24.5" (520mm)
Height (H)	16.3" (415mm)
Base Dimensions	
Floor Area (R x S)	67.9" x 28.1"(1725 x 715mm)
Height (Q)	7.1"(180mm)

Dimensions:



Drill Head:	
Spindle Taper	4MT
Spindle Stroke	9.05" (230mm)
Quill Diameter	3.15" (80mm)
Number of Spindle Speeds	12
Spindle Speeds (rpm)	44-1500
Number of Feeds	3
Spindle Feed Rate (in/mm/rev.)	0.002"(.05mm), 0.0035"(.09mm), 0.006"(.15mm)
Spindle Drive Motor (2-speed)	3 hp (2.25 Kw)
Elevating Motor	1 hp (.75 Kw)
Coolant Pump Motor	1/8 hp (.10 Kw)

Capacities:

Model	CL1100
Capacity:	
Drilling	
In Steel	1.65" (42mm)
In Cast Iron	2.16" (55mm)
Tapping	
In Steel	1" (25mm)
In Cast Iron	1.5" (38mm)
Boring	
In Steel	3.35" (85mm)
In Cast Iron	4.72" (120mm)

Dimensions and Weights:	
Max. Machine Height (F)	99.6" (2530mm)
Base and Column Height (G)	78.7" (2000mm)
Shipping Dim.	
Length	74.0" (1880mm)
Width	34.0" (864mm)
Height	87" (2210mm)
Net Weight	3,968 lbs. (1800kg)
Shipping Weight	4,299 lbs. (1950kg)