

Series 1605

Specifications

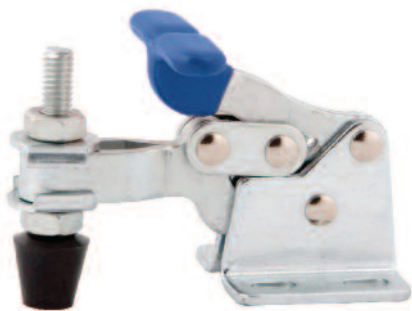
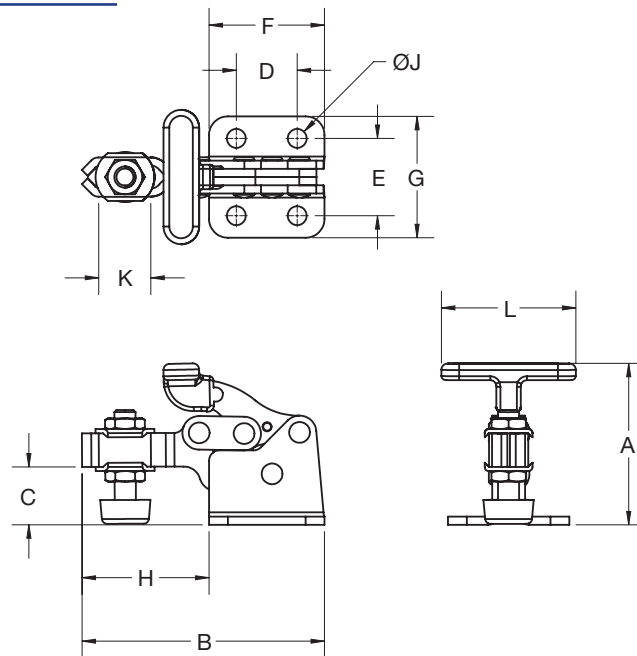
Bar Opens: **90°**

Handle Opens: **170°**

Spindle Supplied: **#10-42 x 1.38 (16051CR)**

5/16-18 x 2.50 (16071CR)

3/8-16 x 3.50 (16091CR)



16051CR

Model	Holding Capacity	Weight	Description	A	B	C	D	E	F	G	H	J	K	L
				mm/in.										
16071CR	1560	0.24	Flanged Base, U-Bar	63.2	93.5	22.6	23.1	29.7	43.7	46.2	49	7.1	19.6	51.1
	350	0.54		2.49	3.68	0.89	0.91	1.17	1.72	1.82	1.93	0.28	0.77	2.01