

Series 1605

Specifications

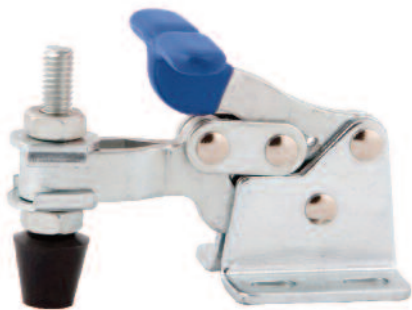
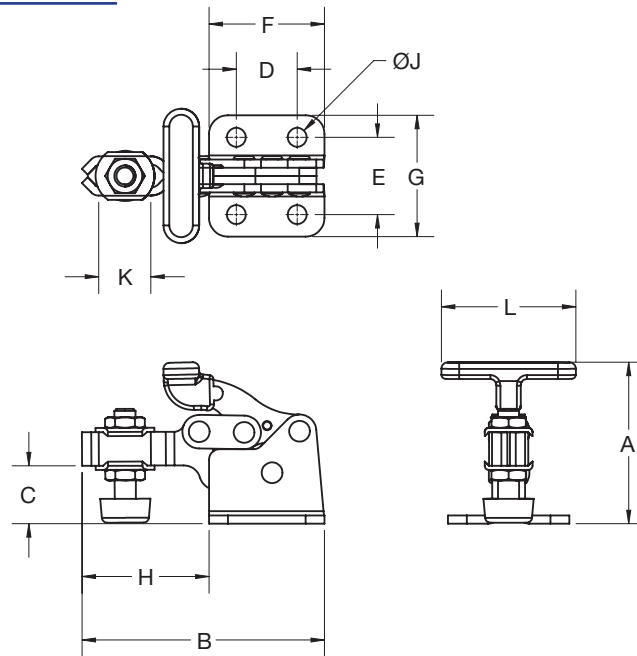
Bar Opens: **90°**

Handle Opens: **170°**

Spindle Supplied: **#10-42 x 1.38 (16051CR)**

5/16-18 x 2.50 (16071CR)

3/8-16 x 3.50 (16091CR)



16051CR

Model	Holding Capacity		Description	A	B	C	D	E	F	G	H	J	K	L
	N/lb.	Kg/lb.												
									mm/in.					
16051CR	670	0,06	Flanged Base, U-Bar	37.3	58.4	16.5	13.5	16.8	26.2	26.2	32	4.3	11.2	33.5
	150	0.13		1.47	2.3	0.65	0.53	0.66	1.03	1.03	1.26	0.17	0.44	1.32