

SUBJECT TO TECHNICAL ALTERATIONS

SCALE 1:1

TYPE: Pocotest PRICECLASS: 3
 RANGE OF APPLICATION: 0–0.5"
 SCALE INTERVAL: .005"

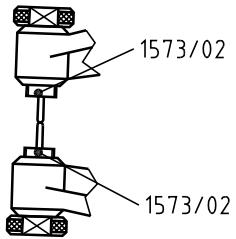
MEASURING FORCE: 0.3–1.3N
 WEIGHT: 40g

ACCEPTABLE DEVIATIONS (VDI/VDE/DGQ 2618 Bl. 12.1/13.1)

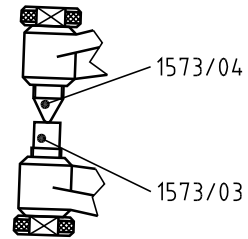
MAX. PERMISSIBLE ERRORS $G = .005''$
 REPEATABILITY $r = .0025''$

REFERENCE TEMPERATURE: 20°C
 OPERATION TEMPERATURE: 10°C – 30°C
 STORAGE TEMPERATURE: –10°C – 50°C

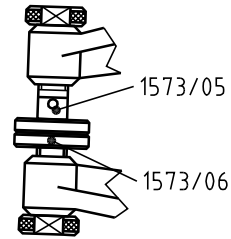
POCO 7N



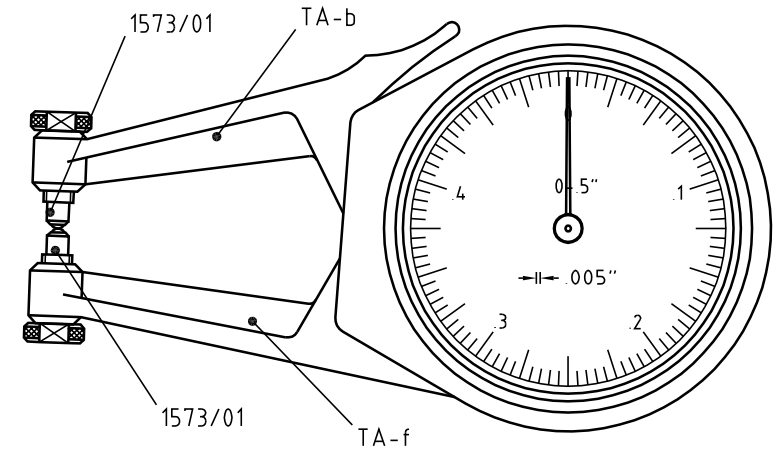
POCO 7F



POCO 7T

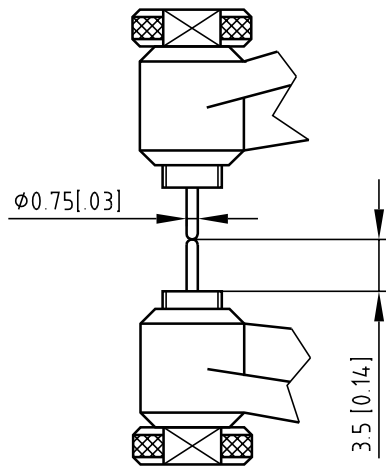


POCO 7K

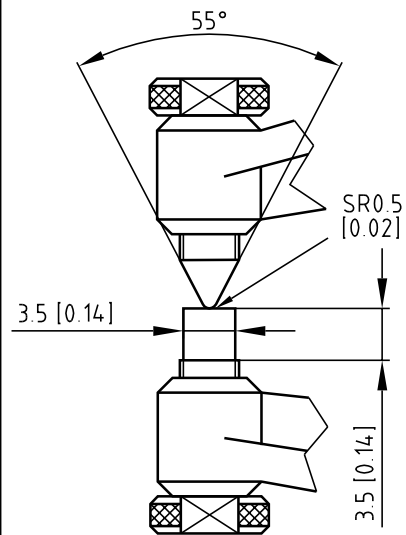


SHAPES OF CONTACT:

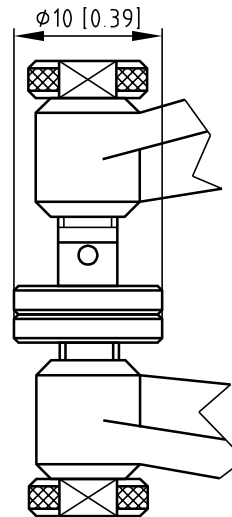
POCO 7N



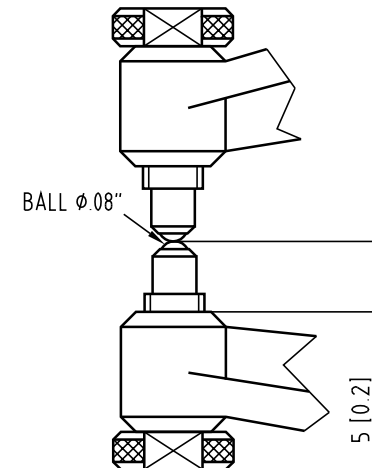
POCO 7F



POCO 7T



POCO 7K



SPARE PARTS

- MEASURING CONTACTS FOR POCO 7K
 FOR TA-f ORDER NO.: 1573/01
 FOR TA-b ORDER NO.: 1573/01
- MEASURING CONTACTS FOR POCO 7T
 FOR TA-f ORDER NO.: 1573/06
 FOR TA-b ORDER NO.: 1573/05
- MEASURING CONTACTS FOR POCO 7F
 FOR TA-f ORDER NO.: 1573/03
 FOR TA-b ORDER NO.: 1573/04
- MEASURING CONTACTS FOR POCO 7N
 FOR TA-f ORDER NO.: 1573/02
 FOR TA-b ORDER NO.: 1573/02