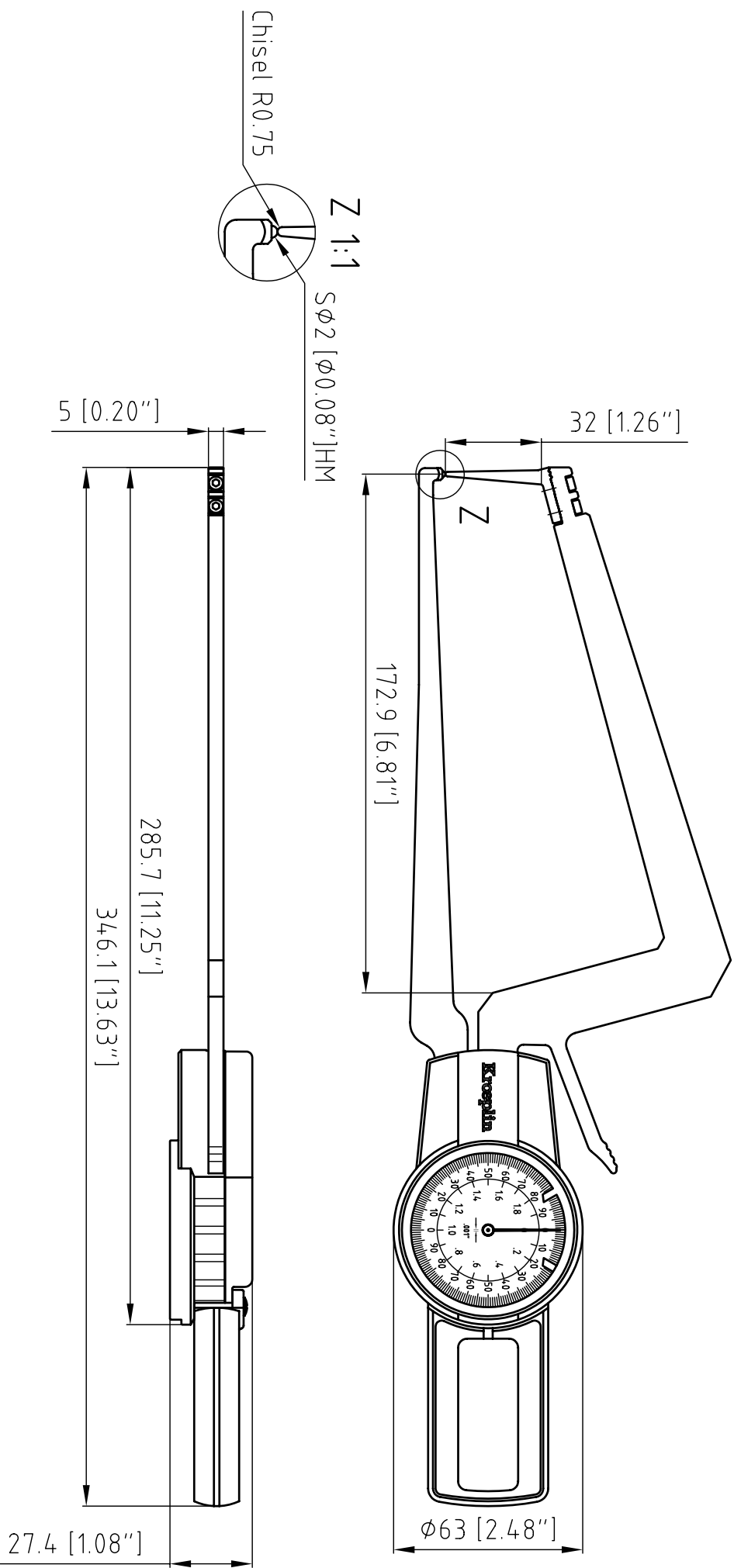


DATA SHEET: ODZ2050RS

Kroepplin GmbH
 Gartenstraße 50
 36381 Schlüchtern

Telefon (06661)86 0
 Telefax (06661)86 39
 sales@kroepplin.com
 www.kroepplin.com

Kroepplin
 Längenmesstechnik



SUBJECT TO TECHNICAL ALTERATIONS

SCALE 1:2

TYPE: Odiftest
 RANGE OF APPLICATION: .0"–2.0"
 SCALE INTERVAL: .001"

PRICECLASS: 23

MEASURING FORCE: 1.2 –1.8N
 WEIGHT: 525g

ACCEPTABLE DEVIATIONS (VDI/VDE/DIN 2818 Bl. 12.1/13.1)
 MAX. PERMISSIBLE ERRORS
 REPEATABILITY $r = .001"$

REFERENCE TEMPERATURE: 20°C
 OPERATION TEMPERATURE: 10°C – 30°C
 STORAGE TEMPERATURE: –10°C – 50°C

