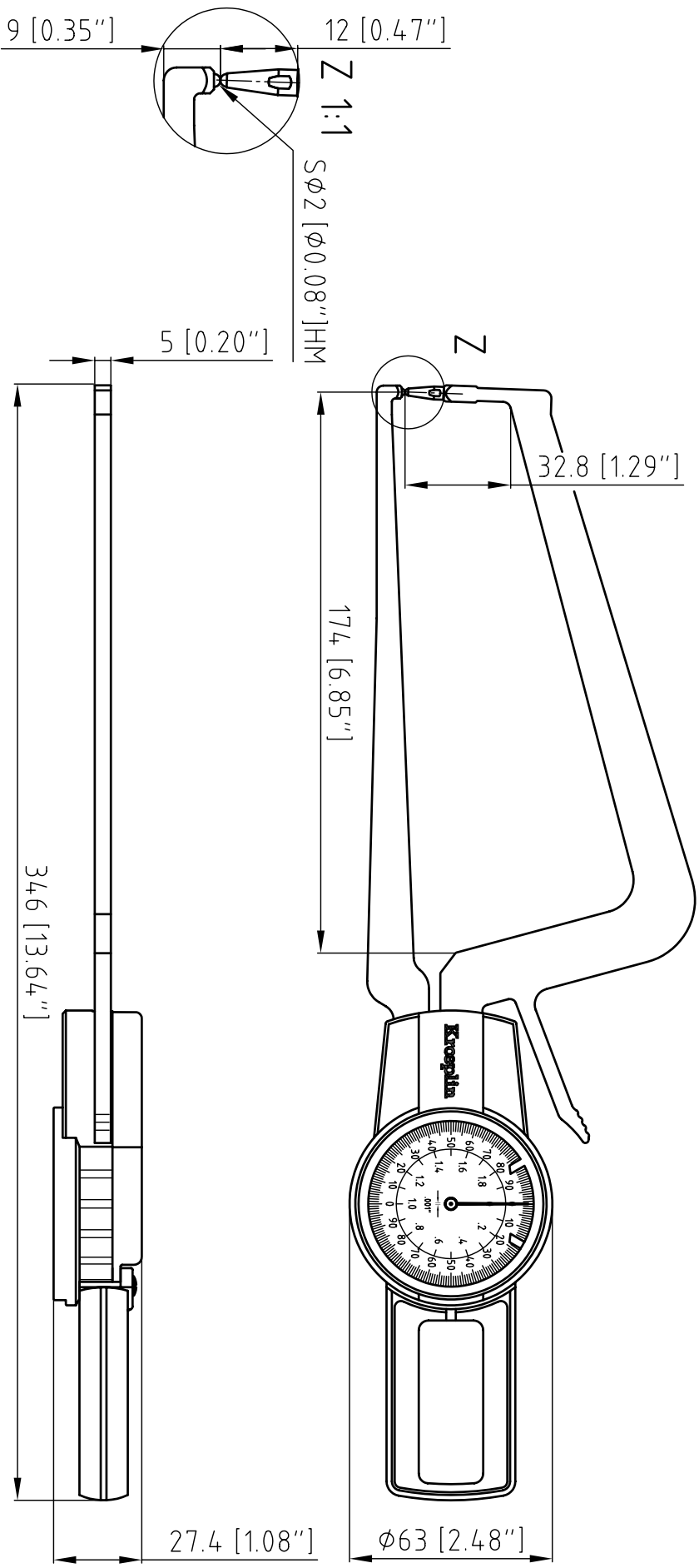


# DATA SHEET: ODZ2050R

Kroepplin GmbH  
Gartenstraße 50  
36381 Schlüchtern

Telefon (06661)86 0  
Telefax (06661)86 39  
sales@kroepplin.com  
www.kroepplin.com

**Kroepplin**  
Längenmesstechnik



SUBJECT TO TECHNICAL ALTERATIONS

SCALE 1:2

TYPE: Odtest  
RANGE OF APPLICATION: .0" – 2.0"  
SCALE INTERVAL: .001"

PRICECLASS: 23

MEASURING FORCE: 1.2 – 1.8N  
WEIGHT: 520g

ACCEPTABLE DEVIATIONS (VDI/VDE/DIN 2618 Bl. 12.1/13.1)  
MAX. PERMISSIBLE ERRORS  
REPEATABILITY

REFERENCE TEMPERATURE: 20°C  
OPERATION TEMPERATURE: 10°C – 30°C  
STORAGE TEMPERATURE: –10°C – 50°C

G = .002"

r = .001"

