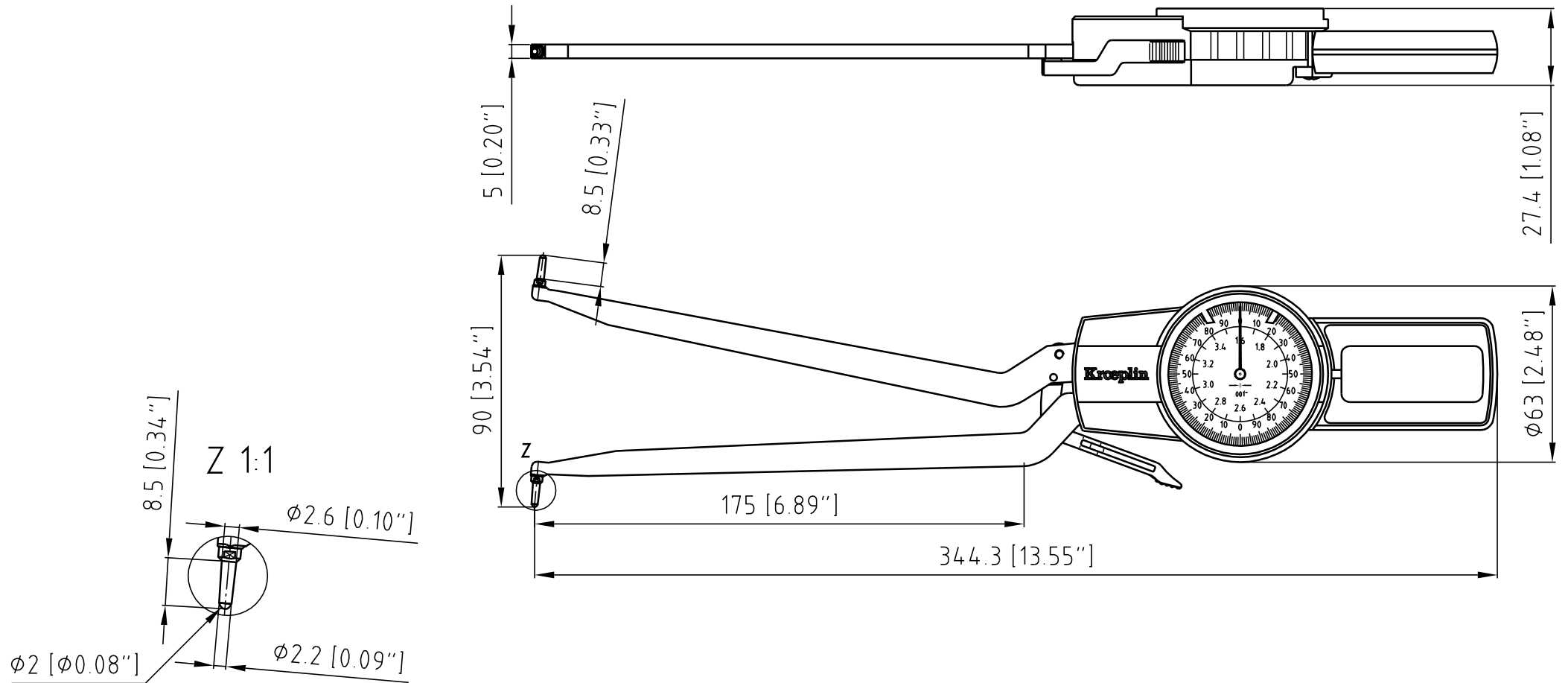


DATA SHEET: IDZ2040

Kroepelin GmbH
Gartenstraße 50
36381 Schlüchtern

Telefon (06661)86 0
Telefax (06661)86 39
sales@kroepelin.com
www.kroepelin.com

Kroepelin
Längenmesstechnik



SUBJECT TO TECHNICAL ALTERATIONS

SCALE 1:2

TYPE: Intertest PRICECLASS: 23
RANGE OF APPLICATION: 1.6" – 3.6"
SCALE INTERVAL: .001"

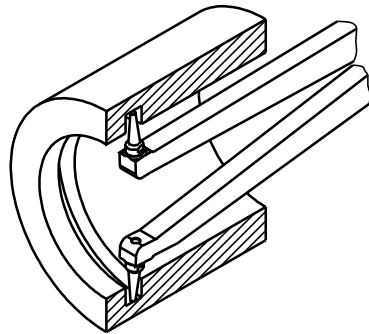
MEASURING FORCE: 1.2 – 2.0N
WEIGHT: 440g

ACCEPTABLE DEVIATIONS (VDI/VDE/DGQ 2618 Bl. 12.1/13.1)

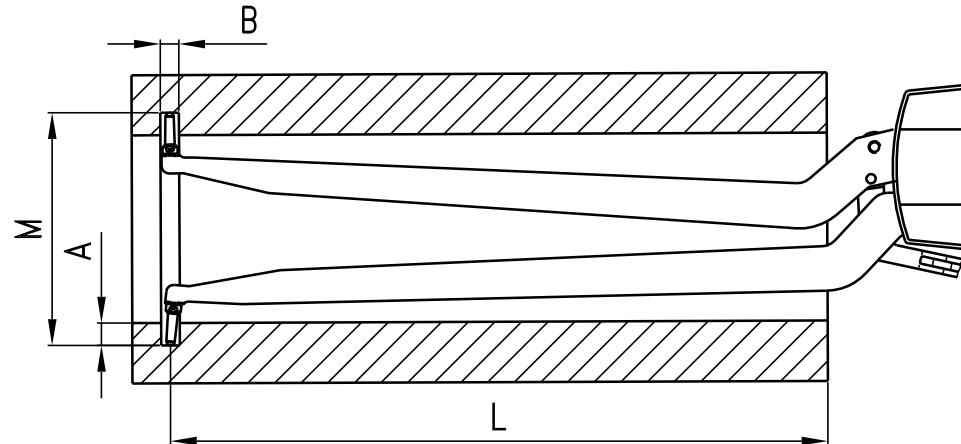
MAX. PERMISSIBLE ERRORS $G = .002''$
REPEATABILITY $r = .001''$

REFERENCE TEMPERATURE: 20°C
OPERATION TEMPERATURE: 10°C – 30°C
STORAGE TEMPERATURE: -10°C – 50°C

SHAPES OF CONTACTS



HM-BALLS ϕ .079"



		MEASURING RANGE M [inch]										
		1.575	1.732	1.890	2.047	2.205	2.362	2.559	2.756	2.953	3.150	3.543
GROOVE DEPTH A [inch]	0	0/6.496	0/6.811	0/6.969	0/7.047	0/7.047	0/7.047	0/7.047	0/7.047	0/7.047	0/7.047	0/7.047
	.039		.094/6.772	.094/6.929	.094/7.008	.094/7.047	.094/7.047	.094/7.047	.094/7.047	.094/7.047	.094/7.047	.094/7.047
	.079		.098/6.732	.098/6.890	.098/6.969	.102/7.047	.102/7.047	.102/7.047	.102/7.047	.102/7.047	.102/7.047	.102/7.047
	.118			.102/6.850	.102/6.929	.106/7.047	.106/7.047	.106/7.047	.110/7.047	.110/7.047	.110/7.047	.110/7.047
	.157			.110/6.772	.110/6.890	.110/7.047	.110/7.047	.110/7.047	.114/7.047	.114/7.047	.114/7.047	.118/7.047
	.197				.118/6.850	.118/7.008	.114/7.047	.114/7.047	.122/7.047	.122/7.047	.122/7.047	.126/7.047
	.236				.122/6.811	.122/6.969	.122/7.047	.122/7.047	.126/7.047	.126/7.047	.130/7.047	.134/7.047
	.276					.126/6.929	.126/7.008	.126/7.047	.134/7.047	.134/7.047	.138/7.047	.142/7.047
	.315					.130/6.890	.130/6.969	.134/7.047	.142/7.047	.142/7.047	.146/7.047	.150/7.047
			B/L									

B = MINIMUM GROOVE WIDTH [inch]
 L = MAXIMUM USABLE ARM LENGTH [inch]
 EXAMPLE: M=2.047" > B= .102"
 A= .118" > L= 6.929"

ACCESSORIES

-WOODEN CASE
 ORDER NO.: 1732-30

SPARE PARTS

-COVERING GLASS OF
 THE SCALE
 ORDER NO.: 0450-08

-MEASURING CONTACT
 ORDER NO.: 0251-02

-HANDLE
 ORDER NO.: 0450-13

