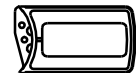


SPARE PARTS

- COVERING GLASS OF THE SCALE
ORDER NO.: 0450-08
- MEASURING CONTACT
ORDER NO.: 0251-02
- HANDLE
ORDER NO.: 0450-13



SUBJECT TO TECHNICAL ALTERATIONS

SCALE 1:2

TYPE: Intertest PRICECLASS: 26
RANGE OF APPLICATION: 7.1" - 9.1"
SCALE INTERVAL: .001"

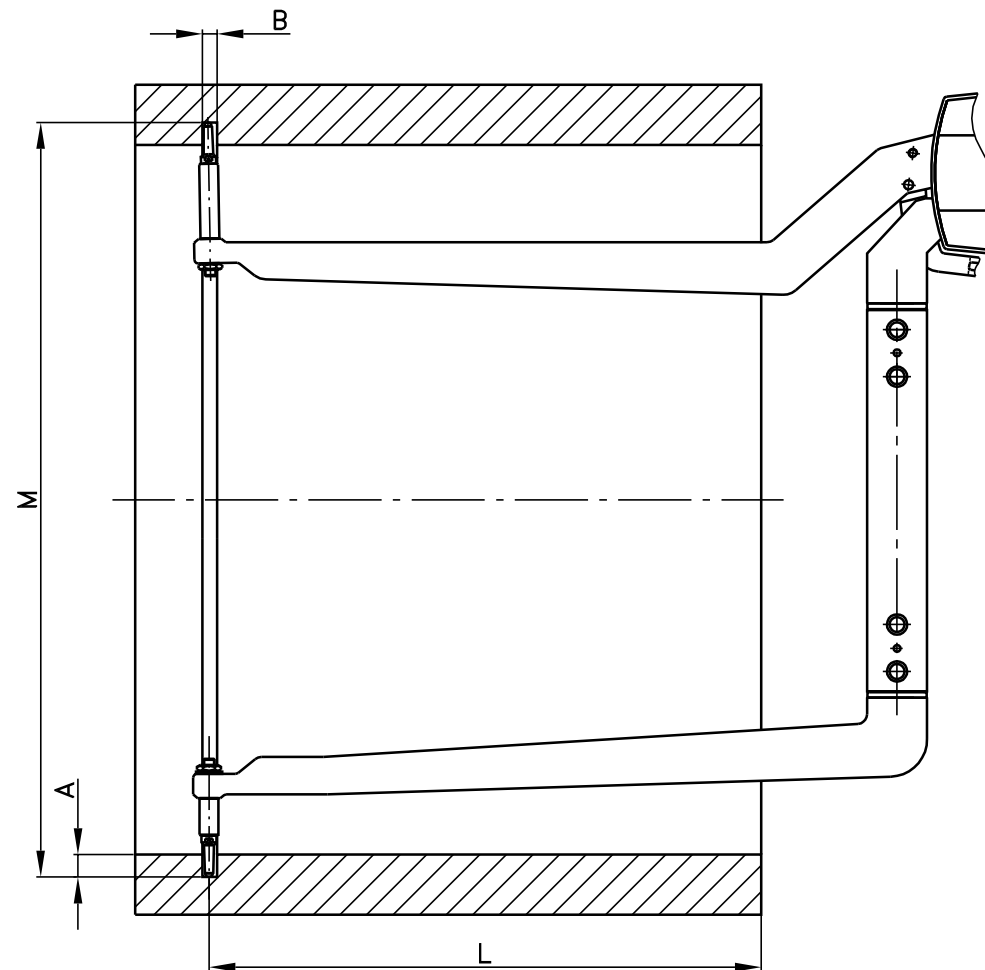
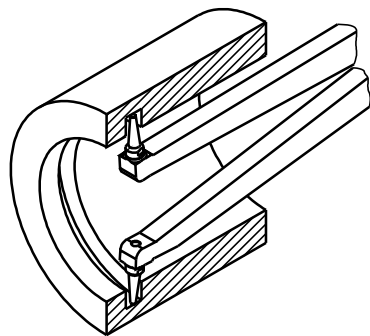
MEASURING FORCE: 1.2-2.0N
WEIGHT: 520g

ACCEPTABLE DEVIATIONS (VDI/VDE/DGQ 2618 Bl. 12.1/13.1)

MAX. PERMISSIBLE ERRORS $G = .003''$
REPEATABILITY $r = .001''$

REFERENCE TEMPERATURE: 20°C
OPERATION TEMPERATURE: 10°C - 30°C
STORAGE TEMPERATURE: -10°C - 50°C

SHAPES OF CONTACTS



GROOVE DEPTH A [inch]	MEASURING RANGE M [inch]									
	7.1	7.24	7.4	7.56	7.72	7.87	8.07	8.27	8.66	9.1
0	0/6.61	0/6.77	0/6.89	0/7.0	0/7.0	0/7.0	0/7.0	0/7.0	0/7.0	0/7.0
.2		.094/6.6	.094/6.7	.094/6.9	.094/7.0	.094/7.0	.094/7.0	.094/7.0	.098/7.0	.102/7.0
.4			.118/6.5	.118/6.6	.118/6.8	.118/6.9	.118/7.0	.118/7.0	.126/7.0	.146/7.0
.6				.142/6.4	.142/6.5	.142/6.7	.142/6.9	.142/7.0	.155/7.0	.189/7.0
.78					.169/6.3	.169/6.5	.169/6.6	.169/6.8	.189/7.0	.228/7.0
1.18						.22/6.0	.22/6.1	.22/6.3	.252/6.7	.311/7.0
1.57							.236/5.7	.236/5.8	.315/6.1	.394/6.4
	B/L									

B = MINIMUM GROOV WIDTH [inch]

L = MAXIMUM USABLE ARM LENGTH [inch]

EXAMPLE: M= 7.72"
 A= .6" > B= .142"
 L= 6.5"