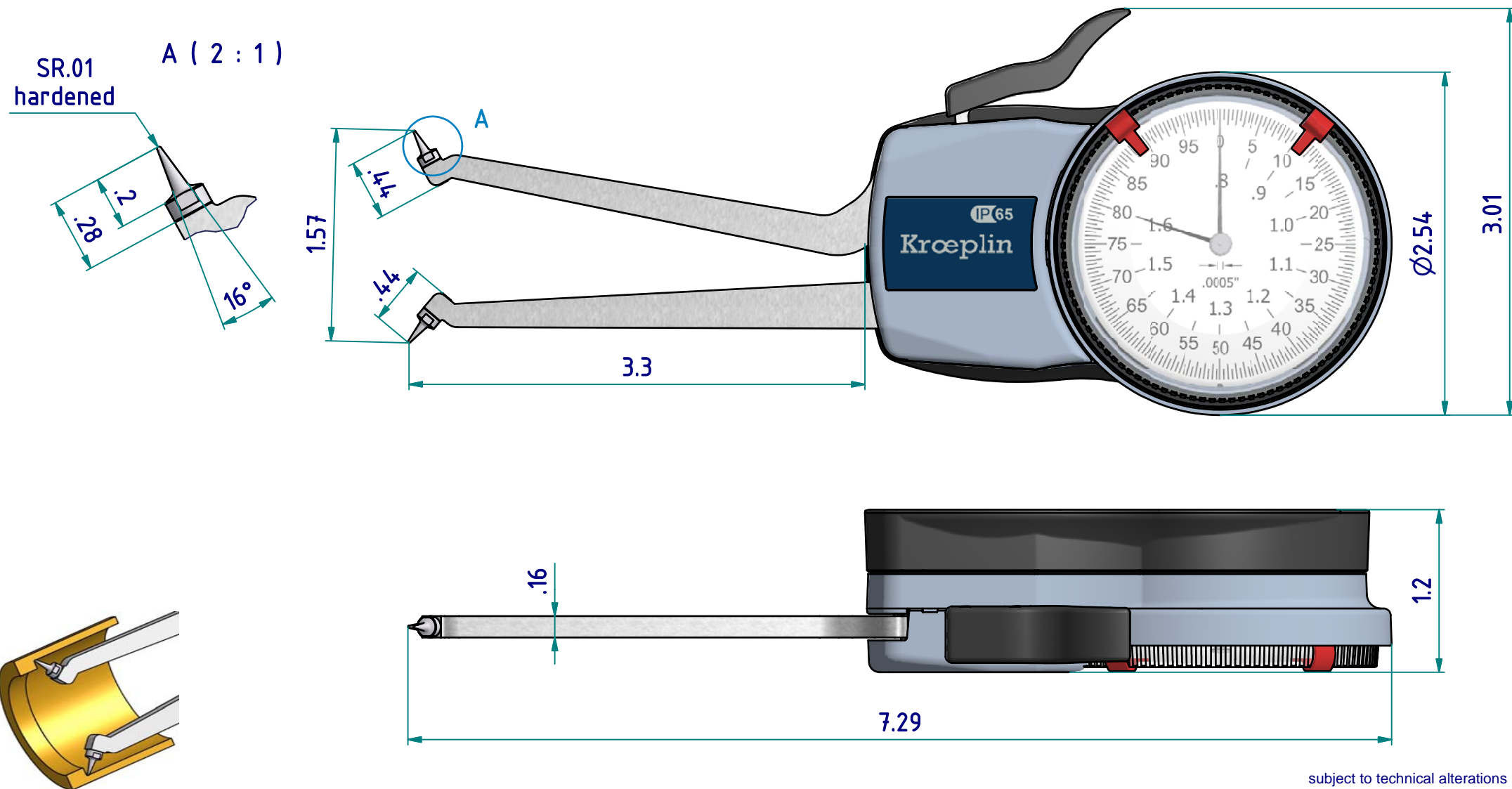


# data sheet: H7G20

Kroepelin GmbH  
Gartenstraße 50  
D-36381 Schlüchtern

Tel.: 06661 86 0  
Fax: 06661 86 39  
Mail: sales@kroepelin.com  
Web: www.kroepelin.com

**Kroepelin**  
Längenmesstechnik



subject to technical alterations

type: H  
range: .80 - 1.60 INCH  
range of indication: .78 - 1.61 INCH  
digital step: -  
scale interval: .0005 INCH  
measuring force: 1,1 - 1,6 N  
weight: 180 g

acceptable deviations  
VDI/VDE/DGQ 2618 Bl. 12.1/13.1)  
max. permissible  
errors "G": .0015 INCH  
repeatability "r": .0005 INCH  
reference temperature: 20° C  
operation temperature: 10° C - 30° C  
storage temperature: -10° C - 50° C

scale: 1:1  
drawing-nr.: DAB-H7G20\_KR\_I  
date of issue: 12.01.09  
name: T.Koenig  
revision status:  
revision date: