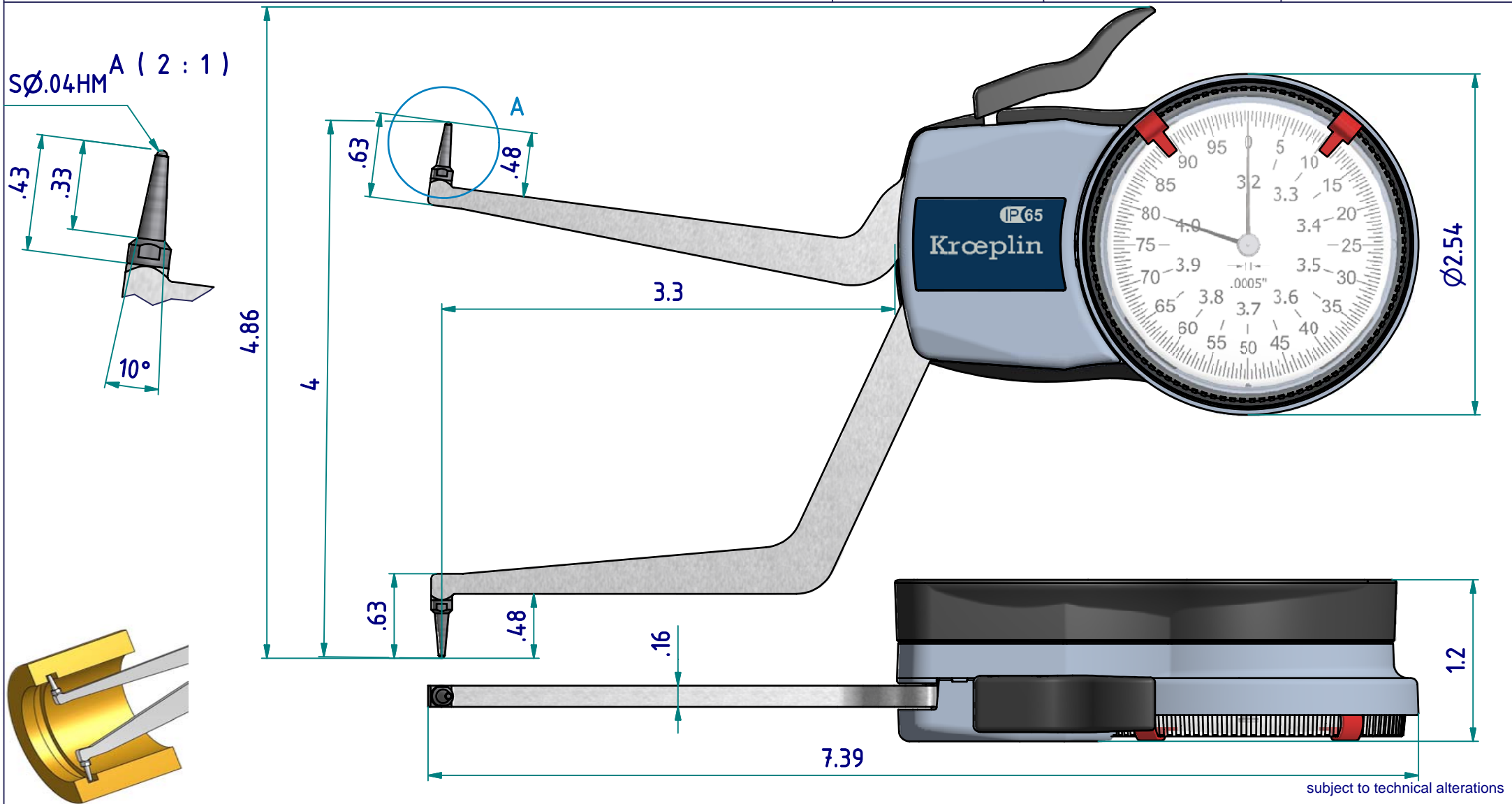


data sheet: H780

Kroepelin GmbH
Gartenstraße 50
D-36381 Schlüchtern

Tel.: 06661 86 0
Fax: 06661 86 39
Mail: sales@kroepelin.com
Web: www.kroepelin.com

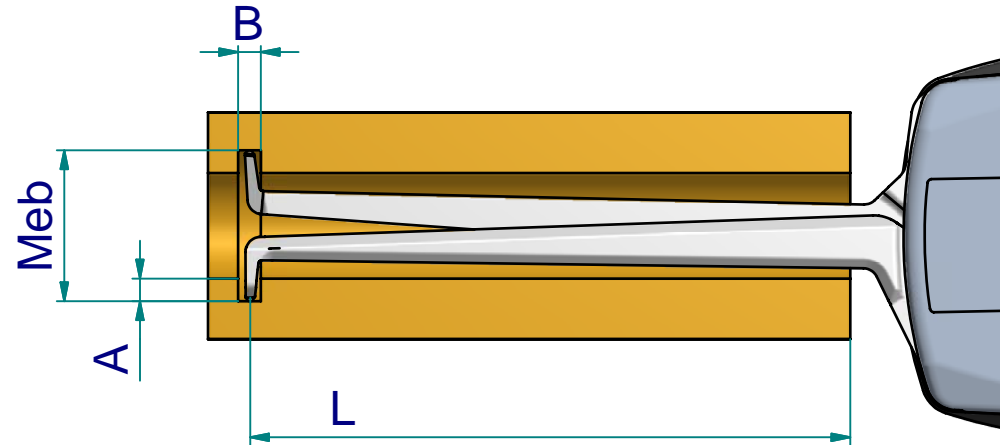
Kroepelin
Längenmesstechnik



type: H
range: 3.20 - 4.00 INCH
range of indication: 3.18 - 4.02 INCH
digital step: -
scale interval: .0005 INCH
measuring force: 1,1 - 1,6 N
weight: 200 g

acceptable deviations
VDI/VDE/DGQ 2618 Bl. 12.1/13.1)
max. permissible errors "G": .0015 INCH
repeatability "r": .0005 INCH
reference temperature: 20°C
operation temperature: $10^\circ\text{C} - 30^\circ\text{C}$
storage temperature: $-10^\circ\text{C} - 50^\circ\text{C}$

scale: 1:1
drawing-nr.: DAB-H780_KR_I
date of issue: 14.01.09
name: T.Koenig
revision status:
revision date:



measuring capacity

		measuring range Meb [INCH]										
		3.15	3.23	3.31	3.39	3.46	3.54	3.62	3.70	3.78	3.86	3.94
groove depth A [INCH]	0	0 / 3.21	0 / 3.24	0 / 3.26	0 / 3.30	0 / 3.37	0 / 3.41	0 / 3.43	0 / 3.44	0 / 3.44	0 / 3.46	0 / 3.48
	.04		.06 / 3.22	.06 / 3.25	.06 / 3.28	.06 / 3.32	.06 / 3.39	.06 / 3.42	.06 / 3.43	.06 / 3.44	.06 / 3.44	.06 / 3.45
	.08			.07 / 3.23	.07 / 3.26	.07 / 3.29	.07 / 3.35	.07 / 3.40	.07 / 3.42	.07 / 3.43	.07 / 3.43	.07 / 3.44
	.12				.07 / 3.24	.07 / 3.27	.07 / 3.31	.07 / 3.37	.07 / 3.41	.07 / 3.42	.07 / 3.43	.07 / 3.43
	.16					.08 / 3.25	.08 / 3.28	.08 / 3.33	.08 / 3.39	.08 / 3.41	.08 / 3.42	.08 / 3.42
	.20						.09 / 3.26	.09 / 3.29	.09 / 3.35	.09 / 3.40	.09 / 3.41	.09 / 3.41
	.24							.09 / 3.26	.09 / 3.31	.09 / 3.37	.09 / 3.40	.09 / 3.41
	.28								.10 / 3.27	.10 / 3.32	.10 / 3.38	.10 / 3.40
	.31									.11 / 3.28	.11 / 3.35	.11 / 3.39
		B / L										

subject to technical alterations

B = minimum groove width [INCH]
L = maximum usable arm length [INCH]

Example: Meb = 3.39 B = .07
A = .08 L = 3.26

drawing-nr.:
date of issue:
name:

DAB-H780_KR_I
14.01.09
T.Koenig

revision status:
revision date: