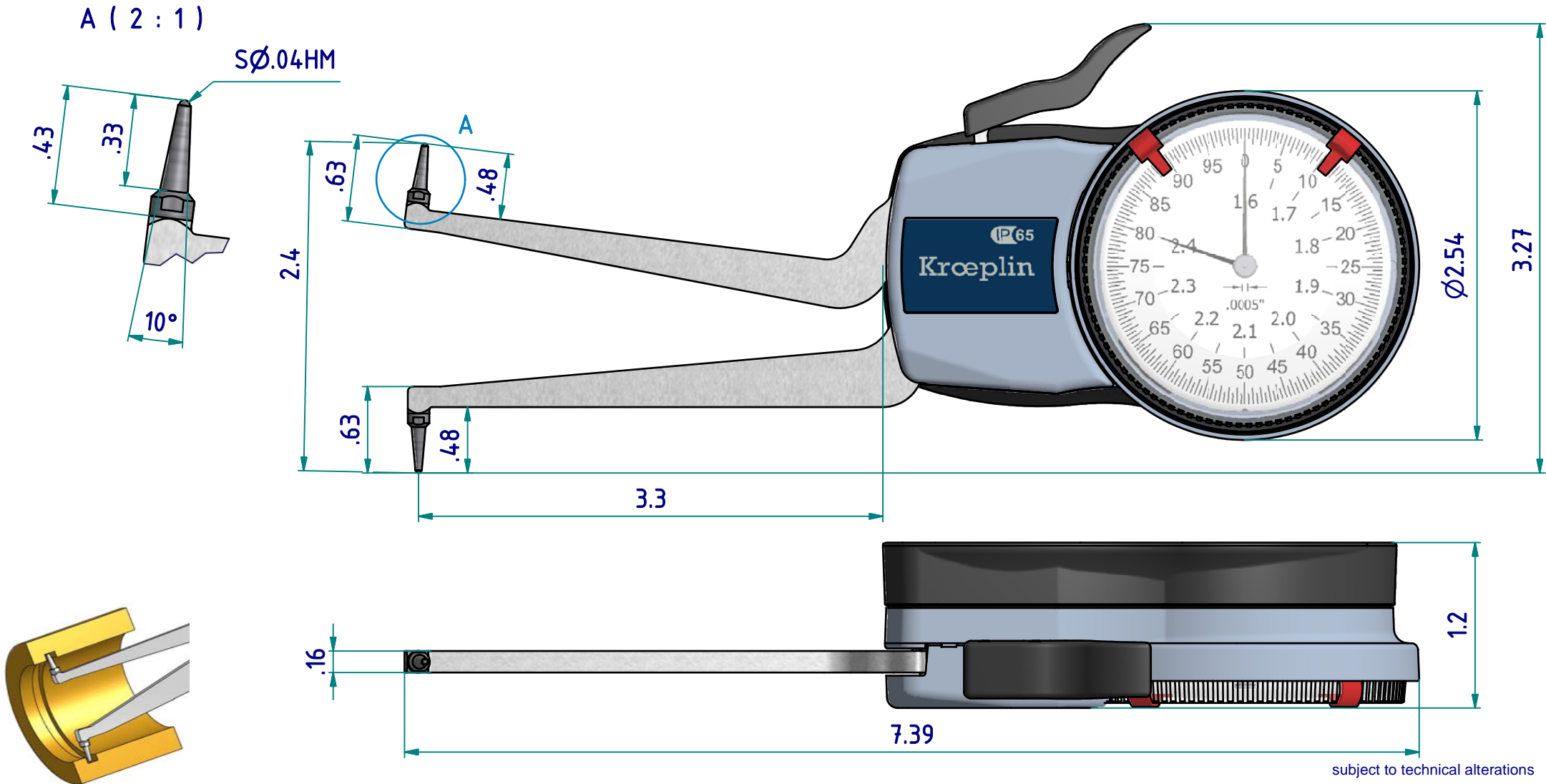


data sheet: H740

Kroepelin GmbH
Gartenstraße 50
D-36381 Schlüchtern

Tel.: 06661 86 0
Fax: 06661 86 39
Mail: sales@kroepelin.com
Web: www.kroepelin.com

Kroepelin
Längenmesstechnik

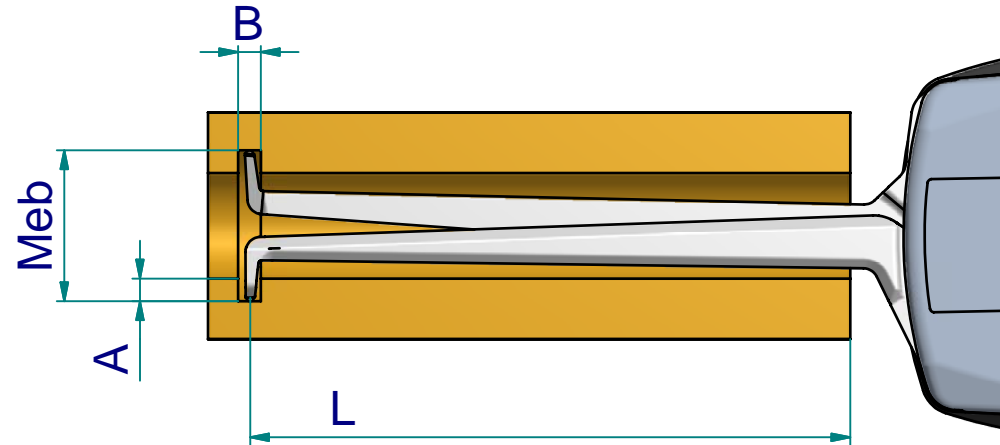


subject to technical alterations

type: H
 range: 1.60 - 2.40 INCH
 range of indication: 1.58 - 2.42 INCH
 digital step: -
 scale interval: .0005 INCH
 measuring force: 1,1 - 1,6 N
 weight: 195 g

acceptable deviations
 VDI/VDE/DGQ 2618 Bl. 12.1/13.1)
 max. permissible
 errors "G": .0015 INCH
 repeatability "r": .0005 INCH
 reference temperature: 20° C
 operation temperature: 10° C - 30° C
 storage temperature: -10° C - 50° C

scale: 1:1
 drawing-nr.: DAB-H740_KR_I
 date of issue: 14.01.09
 name: T.Koenig
 revision status:
 revision date:



measuring capacity

		measuring range Meb [INCH]										
		1.57	1.65	1.73	1.81	1.89	1.97	2.05	2.13	2.20	2.28	2.36
groove depth A [INCH]	0	0 / 3.21	0 / 3.24	0 / 3,3	0 / 3.31	0 / 3,4	0 / 3.41	0 / 3.43	0 / 3.43	0 / 3.44	0 / 3.45	0 / 3,45
	.04		.06 / 3.22	.06 / 3.25	.06 / 3.28	.06 / 3,3	.06 / 3.39	.06 / 3.42	.06 / 3.43	.06 / 3.43	.06 / 3.44	.06 / 3.44
	.08			.07 / 3.23	.07 / 3.26	.07 / 3,3	.07 / 3.35	.07 / 3.40	.07 / 3.42	.07 / 3.43	.07 / 3.43	.07 / 3.43
	.12				.07 / 3.24	.07 / 3,3	.07 / 3.31	.07 / 3.37	.07 / 3.41	.07 / 3.42	.07 / 3.42	.07 / 3.42
	.16					.08 / 3,3	.08 / 3.28	.08 / 3.32	.08 / 3.39	.08 / 3.41	.08 / 3.41	.08 / 3.41
	.20						.09 / 3.26	.09 / 3.29	.09 / 3.34	.09 / 3.39	.09 / 3.41	.09 / 3.41
	.24							.09 / 3.26	.09 / 3.30	.09 / 3.36	.09 / 3.40	.09 / 3.4
	.28								.10 / 3.27	.10 / 3.31	.10 / 3.37	.10 / 3.39
.31									.11 / 3.28	.11 / 3.32	.11 / 3.36	
	B / L											

subject to technical alterations

drawing-nr.: DAB-H740_KR_I
date of issue: 14.01.09
name: T.Koenig

revision status:
revision date:

B = minimum groove width [INCH]
L = maximum usable arm length [INCH]

Example: Meb = 1.81 B = .07
A = .08 L = 3.26