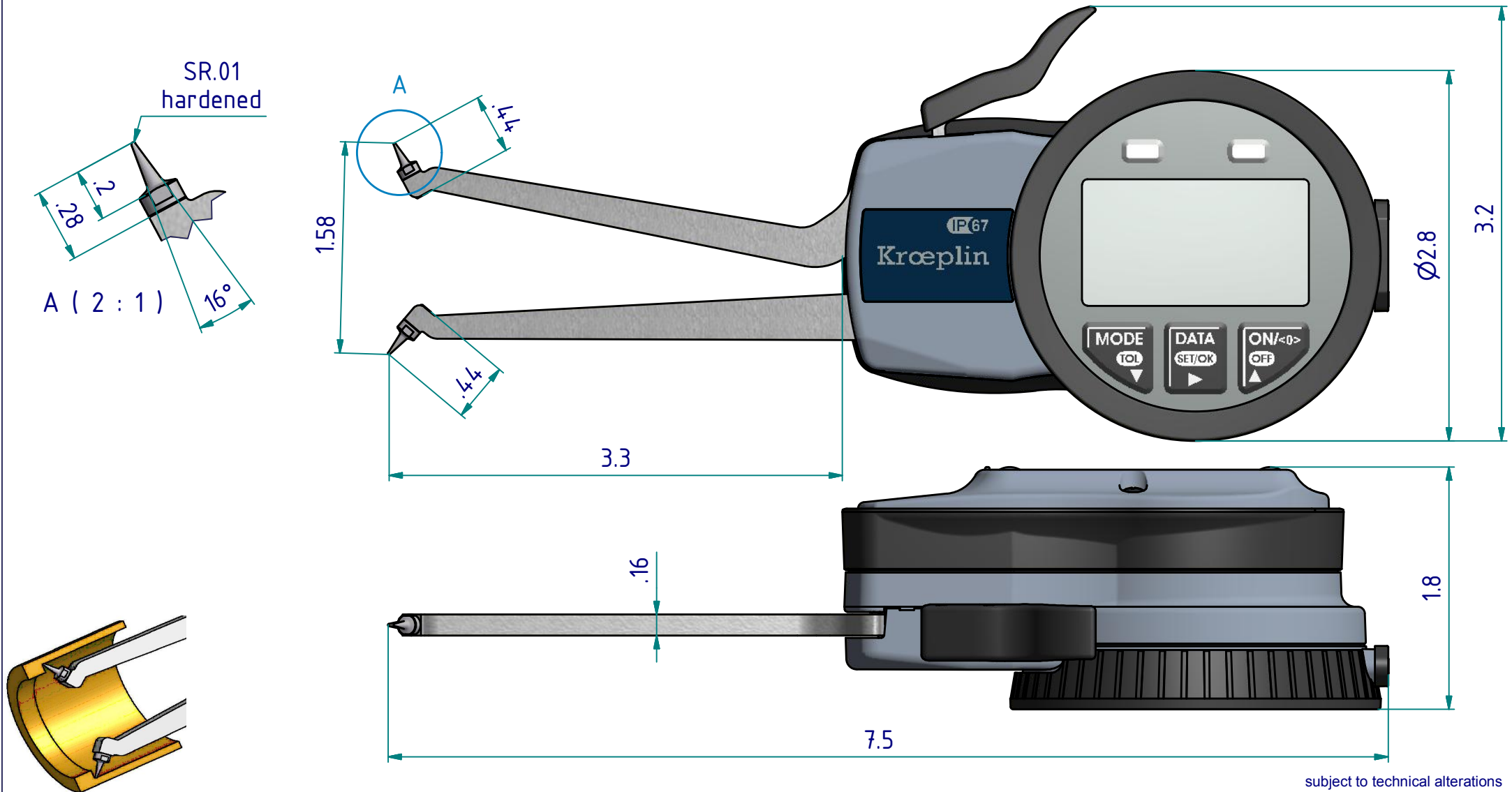


data sheet: G2G20

Kroepin GmbH
Gartenstraße 50
D-36381 Schlüchtern

Tel.: 06661 86 0
Fax: 06661 86 39
Mail: sales@kroepin.com
Web: www.kroepin.com

Kroepin
Längenmesstechnik



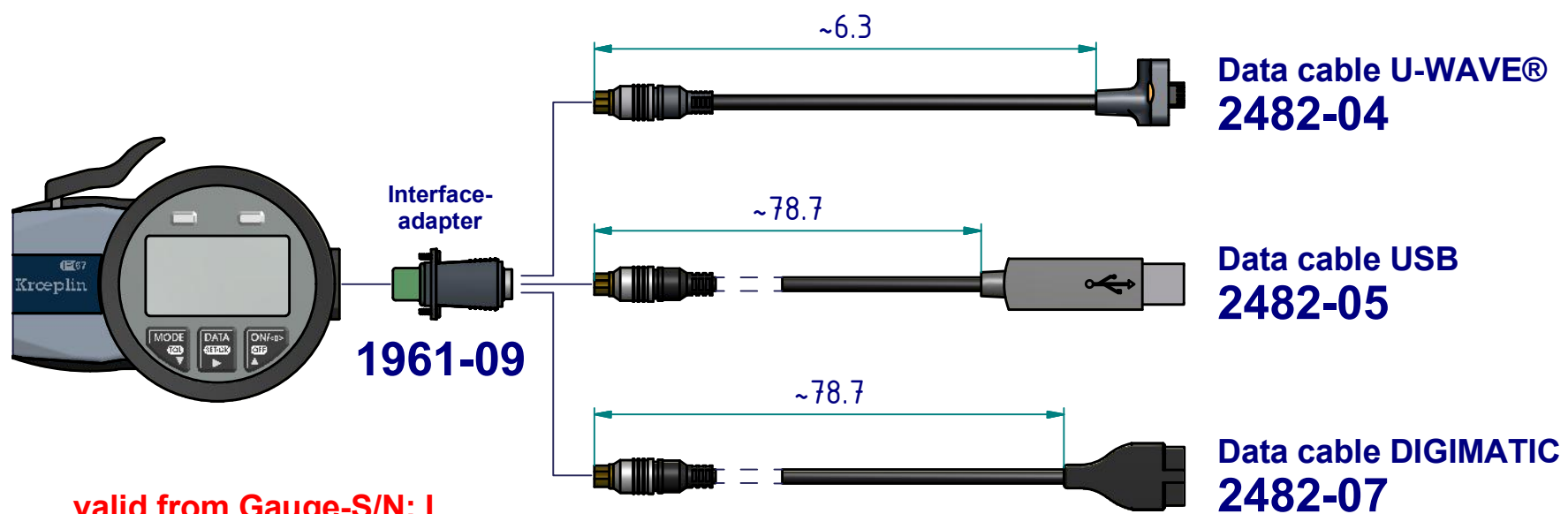
subject to technical alterations

type: G
range: .79 - 1.58 INCH
range of indication: .7675 - 1.5945 INCH
digital step: .0005 INCH
scale interval: -
measuring force: 1,1 - 1,6 N
weight: 250 g

acceptable deviations
VDI/VDE/DGQ 2618 Bl. 12.1/13.1)
max. permissible errors "G": .0015 INCH
repeatability "r": .0005 INCH
reference temperature: 20° C
operation temperature: 10° C - 30° C
storage temperature: -10° C - 50° C

scale: 1:1
drawing-nr.: DAB-G2G20_KR_I
date of issue: 06.01.09
name: M. Balzer
revision status: 001
revision date: 09.03.10

interface as accessories available:



valid from Gauge-S/N: I
Always specify serial number
when ordering Interfaces or accessories!

subject to technical alterations

drawing-nr.:	DAB-G2G20_KR_I
date of issue:	06.01.09
name:	M. Balzer
revision status:	2043
revision date:	27.02.12