

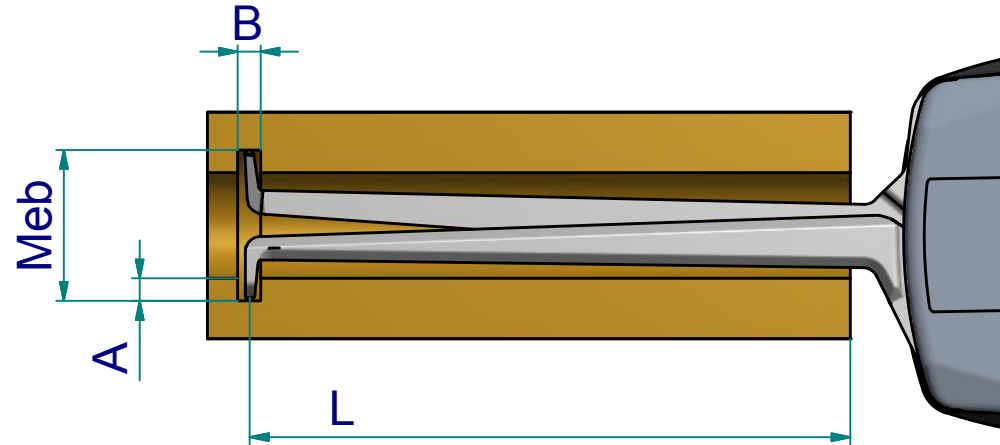
subject to technical alterations

type: G
range: 3.15 - 3.94 INCH
range of indication: 3.1300 - 3.9565 INCH
digital step: .0005 INCH
scale interval: -
measuring force: 1,1 - 1,6 N
weight: 270 g

acceptable deviations
 VDI/VDE/DGQ 2618 Bl. 12.1/13.1)
max. permissible errors "G": .0015 INCH
repeatability "r": .0005 INCH
reference temperature: 20° C
operation temperature: 10° C - 30° C
storage temperature: -10° C - 50° C

scale: 1:1
drawing-nr.: DAB-G280_KR_I
date of issue: 07.01.09
name: M. Balzer

revision status: 001
revision date: 09.03.10



measuring capacity

groove depth A [inch]	measuring range Meb [inch]										
	3.15	3.23	3.31	3.39	3.46	3.54	3.62	3.70	3.78	3.86	3.94
0	0 / 3.21	0 / 3.24	0 / 3.26	0 / 3.30	0 / 3.37	0 / 3.41	0 / 3.43	0 / 3.44	0 / 3.44	0 / 3.46	0 / 3.48
.039		.06 / 3.22	.06 / 3.25	.06 / 3.28	.06 / 3.32	.06 / 3.39	.06 / 3.42	.06 / 3.43	.06 / 3.44	.06 / 3.44	.06 / 3.45
.079			.07 / 3.23	.07 / 3.26	.07 / 3.29	.07 / 3.35	.07 / 3.41	.07 / 3.42	.07 / 3.43	.07 / 3.43	.07 / 3.44
.118				.07 / 3.24	.07 / 3.27	.07 / 3.31	.07 / 3.37	.07 / 3.41	.07 / 3.42	.07 / 3.43	.07 / 3.43
.157					.08 / 3.25	.08 / 3.28	.08 / 3.33	.08 / 3.39	.08 / 3.41	.08 / 3.42	.08 / 3.42
.197						.09 / 3.26	.09 / 3.29	.09 / 3.35	.09 / 3.40	.09 / 3.41	.09 / 3.41
.236							.09 / 3.26	.09 / 3.31	.09 / 3.37	.09 / 3.40	.09 / 3.41
.276								.10 / 3.27	.10 / 3.32	.10 / 3.38	.10 / 3.40
.315									.11 / 3.28	.11 / 3.35	.11 / 3.39
	B / L										

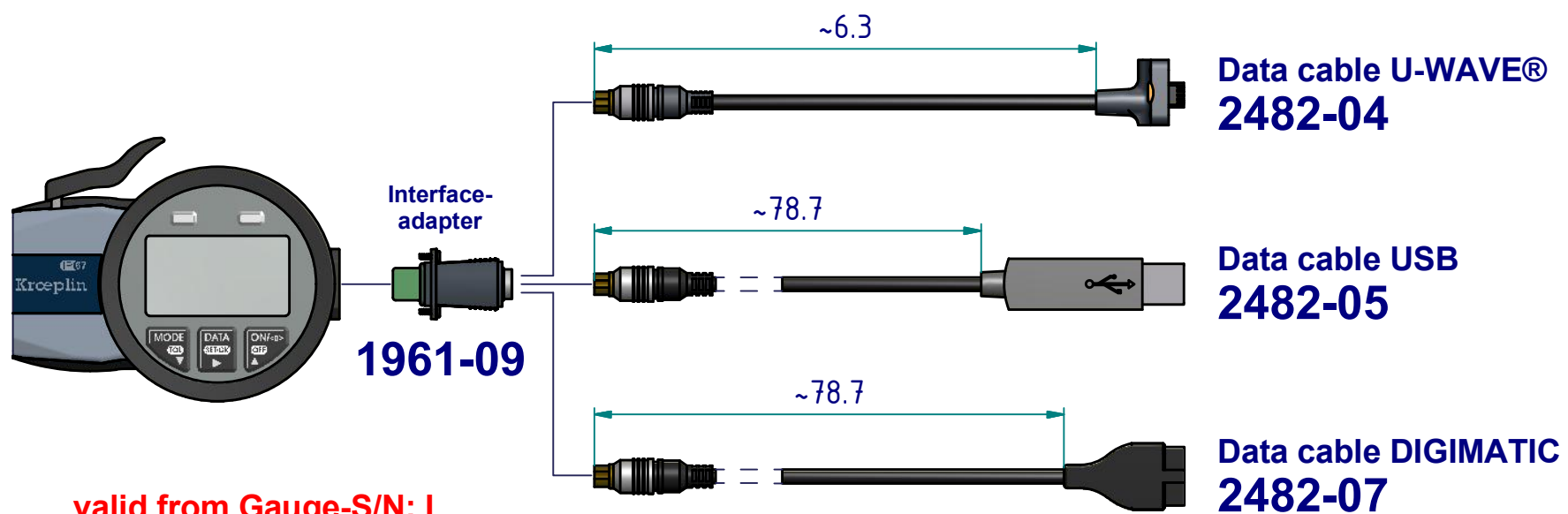
subject to technical alterations

B = minimum groove width [inch]
L = maximum usable arm length [inch]

Example: Meb = 3.39 B = .07
A = .079 L = 3.26

drawing-nr.: DAB-G280_KR_I
date of issue: 07.01.09
name: M. Balzer
revision status:
revision date:

interface as accessories available:



valid from Gauge-S/N: I
Always specify serial number
when ordering Interfaces or accessories!

subject to technical alterations

drawing-nr.:	DAB-G280_KR_I
date of issue:	07.01.09
name:	M. Balzer
revision status:	2043
revision date:	27.02.12