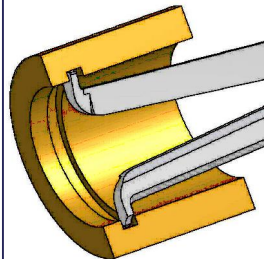


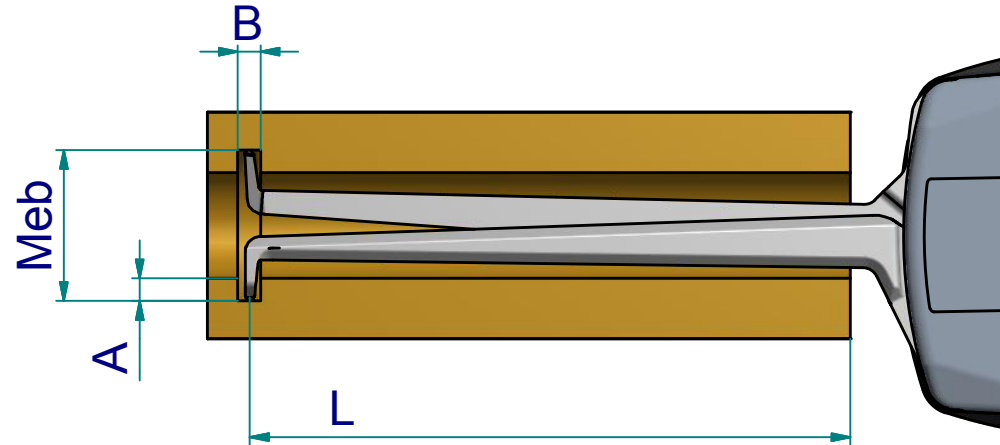
subject to technical alterations



type: **G**  
range: **.20 - .59 INCH**  
range of indication: **.1850 - .6024 INCH**  
digital step: **.0002 INCH**  
scale interval: **-**  
measuring force: **0,8 - 1,2 N**  
weight: **230 g**

acceptable deviations  
VDI/VDE/DGQ 2618 Bl. 12.1/13.1)  
max. permissible  
errors "G": **.0008 INCH**  
repeatability "r": **.0002 INCH**  
reference temperature: **20° C**  
operation temperature: **10° C - 30° C**  
storage temperature: **-10° C - 50° C**

scale: **1:1**  
drawing-nr.: **DAB-G105\_KR\_I**  
date of issue: **07.01.09**  
name: **M. Balzer**  
revision status: **001**  
revision date: **08.03.10**



measuring capacity

groove depth A [inch]	measuring range Meb [inch]										
	.20	.24	.28	.31	.35	.39	.43	.47	.51	.55	.59
0	0 / 1.31	0 / 1.31	0 / 1.31	0 / 1.33	0 / 1.34	0 / 1.35	0 / 1.37	0 / 1.38	0 / 1.39	0 / 1.40	0 / 1.41
.008		.03 / 1.28	.03 / 1.29	.03 / 1.31	.03 / 1.33	.03 / 1.34	.03 / 1.36	.03 / 1.37	.03 / 1.38	.03 / 1.39	.03 / 1.40
.016		.04 / 1.20	.03 / 1.20	.03 / 1.33	.03 / 1.31	.03 / 1.33	.03 / 1.34	.03 / 1.36	.03 / 1.37	.03 / 1.39	.03 / 1.40
.024			.04 / 1.10	.04 / 1.19	.04 / 1.28	.04 / 1.31	.04 / 1.33	.04 / 1.35	.04 / 1.36	.04 / 1.38	.04 / 1.39
.031			.04 / .95	.04 / 1.04	.04 / 1.16	.04 / 1.28	.04 / 1.32	.04 / 1.33	.04 / 1.35	.04 / 1.37	.04 / 1.38
.039			.05 / .84	.05 / .90	.04 / 1.00	.04 / 1.15	.04 / 1.31	.04 / 1.32	.04 / 1.34	.04 / 1.36	.04 / 1.37
.047				.05 / .76	.05 / .84	.04 / .96	.04 / 1.16	.04 / 1.29	.04 / 1.32	.04 / 1.35	.04 / 1.36
.055				.06 / .61	.05 / .68	.05 / .78	.05 / .94	.04 / 1.19	.04 / 1.30	.04 / 1.33	.04 / 1.35
.063					.06 / .52	.05 / .60	.05 / .72	.05 / .91	.05 / 1.26	.04 / 1.31	.04 / 1.34
.071					.07 / .36	.06 / .41	.05 / .50	.05 / .63	.05 / .89	.05 / 1.28	.05 / 1.32
.079					.08 / .20	.07 / .23	.06 / .30	.06 / .35	.06 / .50	.05 / .84	.05 / 1.30
.087						.09 / .05	.08 / .06	.07 / .07	.07 / .11	.05 / .18	.06 / .65
	B / L										

subject to technical alterations

**B = minimum groove width [inch]**  
**L = maximum usable arm length [inch]**

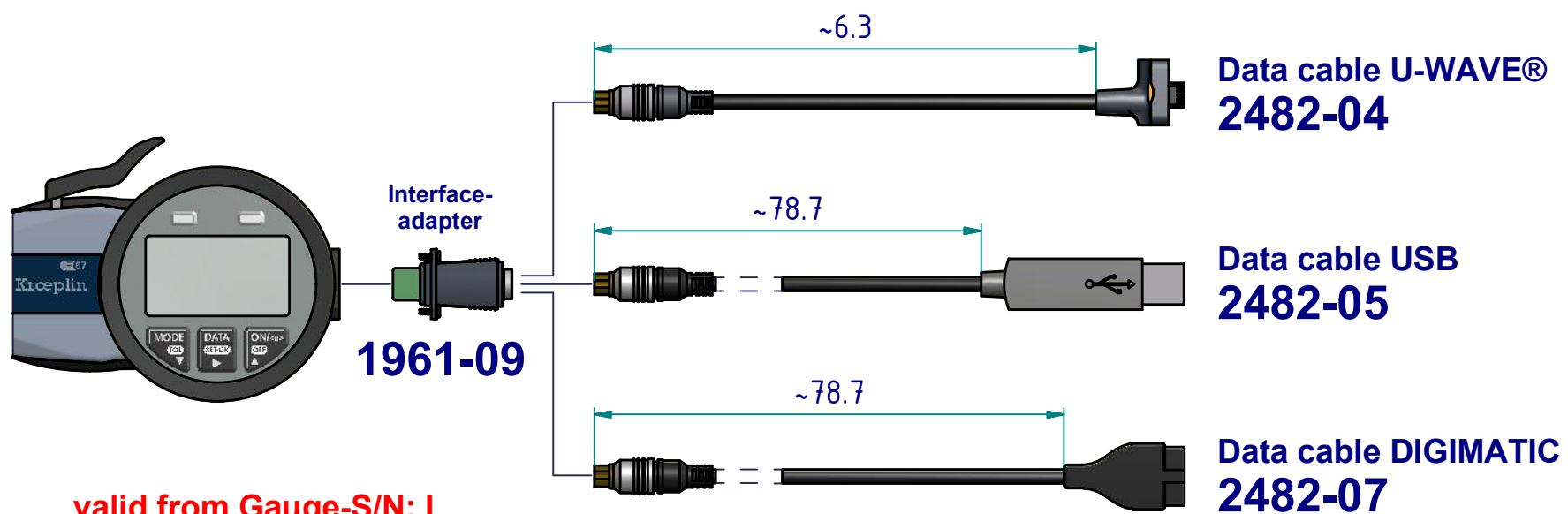
Example: Meb = .31 B = .03  
A = .016 L = 1.33

drawing-nr.:  
date of issue:  
name:

DAB-G105\_KR\_I  
07.01.09  
M. Balzer

revision status:  
revision date:

interface as accessories available:



**valid from Gauge-S/N: I**  
**Always specify serial number**  
**when ordering Interfaces or accessories!**

subject to technical alterations

drawing-nr.:	DAB-G105_KR_I
date of issue:	07.01.09
name:	M. Balzer
revision status:	2043
revision date:	27.02.12