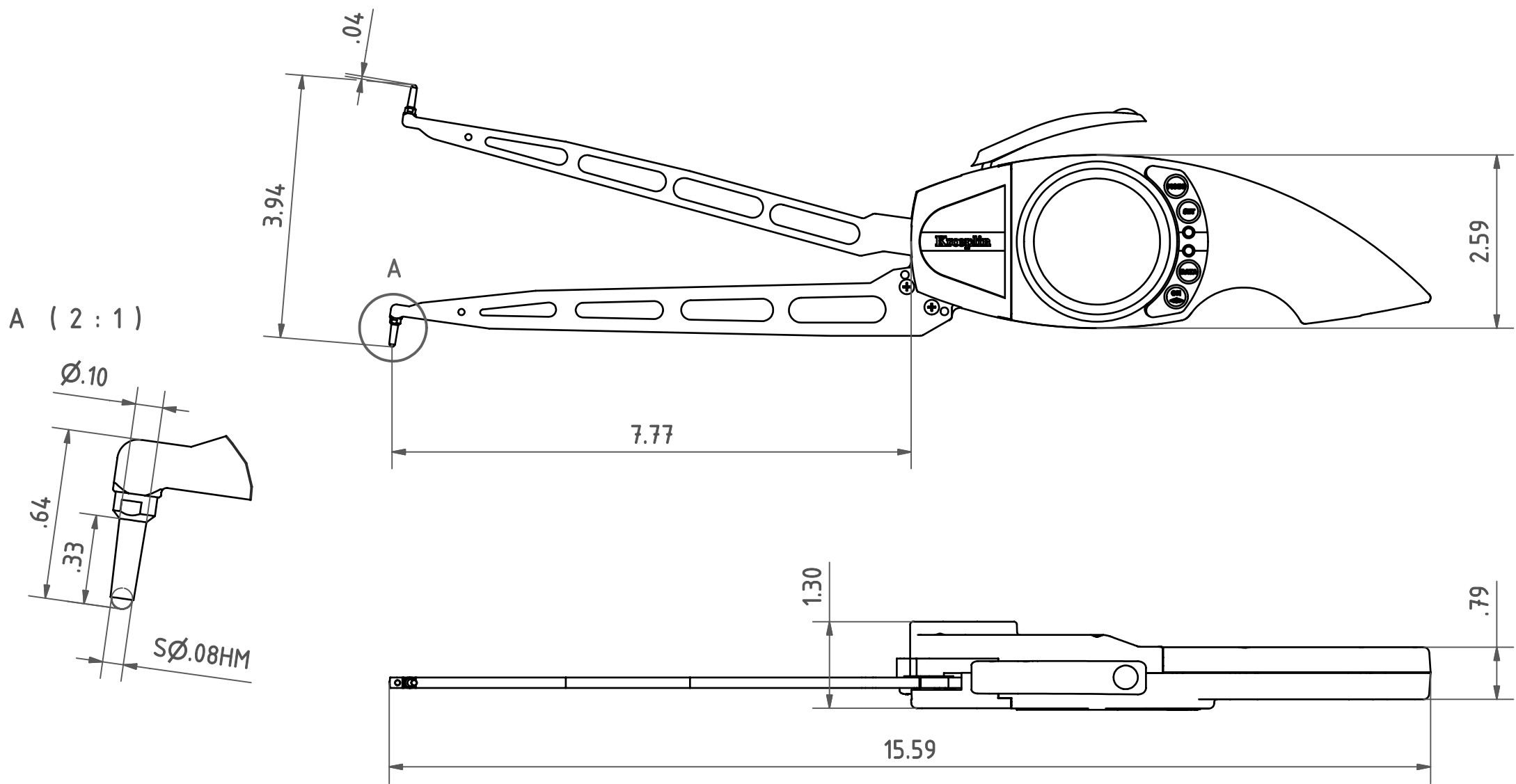


# DATA SHEET: F640

Kroeplin GmbH  
 Gartenstraße 50  
 36381 Schlüchtern

Telefon (06661)86 0  
 Telefax (06661)86 39  
 sales@kroeplin.com  
 www.kroeplin.com

**Kroeplin**  
 Längenmesstechnik



SUBJECT TO TECHNICAL ALTERATIONS

SCALE: 1:2

|                     |                |                                   |  |                                    |
|---------------------|----------------|-----------------------------------|--|------------------------------------|
| TYPE: F             | PRICECLASS: 26 | RANGE OF INDICATION: 1.54 - 3.98" | ACCEPTABLE DEVIATIONS (VDI/WDE/DGQ 2618 Bl. 12.1/13.1) | REFERENCE TEMPERATURE: 20°C        |
| RANGE: 1.57 - 3.94" |                | MEASURING FORCE: 1,0 - 1,2 N      | MAX. PERMISSIBLE ERRORS: G = .003"                     | OPERATION TEMPERATURE: 10°C - 30°C |
| DIGITAL STEP: .001" |                | WEIGHT: 440 g                     | REPEATABILITY: r = .002"                               | STORAGE TEMPERATURE: -10°C - 50°C  |

