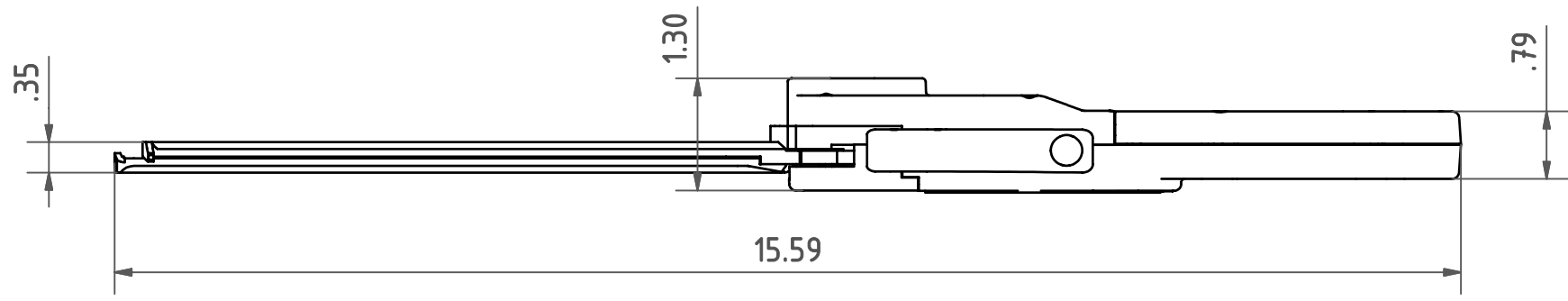
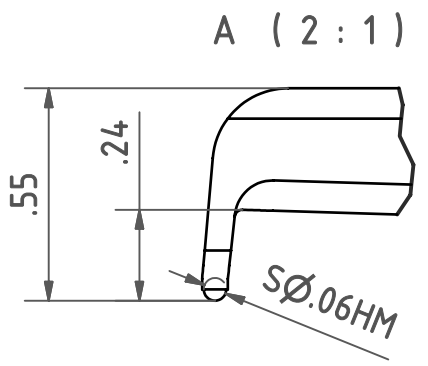
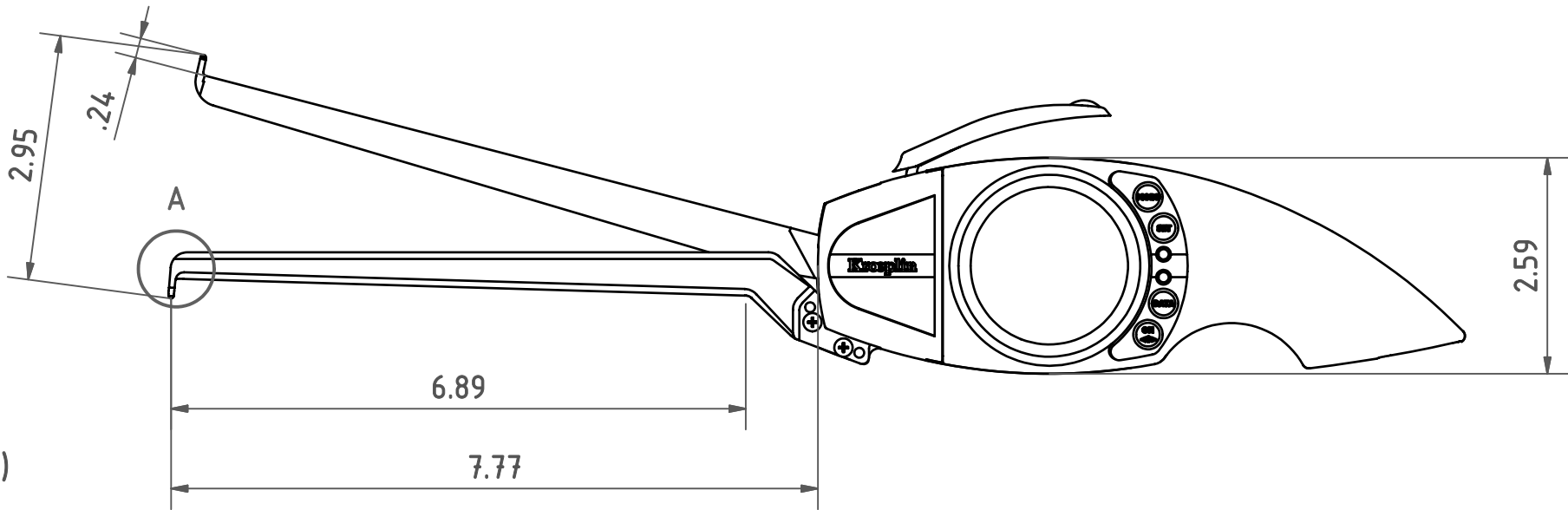


# DATA SHEET: F615

Kroeplin GmbH  
 Gartenstraße 50  
 36381 Schlüchtern

Telefon (06661)86 0  
 Telefax (06661)86 39  
 sales@kroeplin.com  
 www.kroeplin.com

**Kroeplin**  
 Längenmesstechnik



SUBJECT TO TECHNICAL ALTERATIONS

SCALE: 1:2

TYPE: F  
 RANGE: .60 - 2.95"  
 DIGITAL STEP: .001"

PRICECLASS: 26  
 RANGE OF INDICATION: .55 - 3.00"  
 MEASURING FORCE: 1,0-1,2 N  
 WEIGHT: 440 g

ACCEPTABLE DEVIATIONS (VDI/VDE/DGQ 2618 Bl. 12.1/13.1)  
 MAX. PERMISSIBLE ERRORS: G = .003"  
 REPEATABILITY: r = .002"

REFERENCE TEMPERATURE: 20°C  
 OPERATION TEMPERATURE: 10°C - 30°C  
 STORAGE TEMPERATURE: -10°C - 50°C

