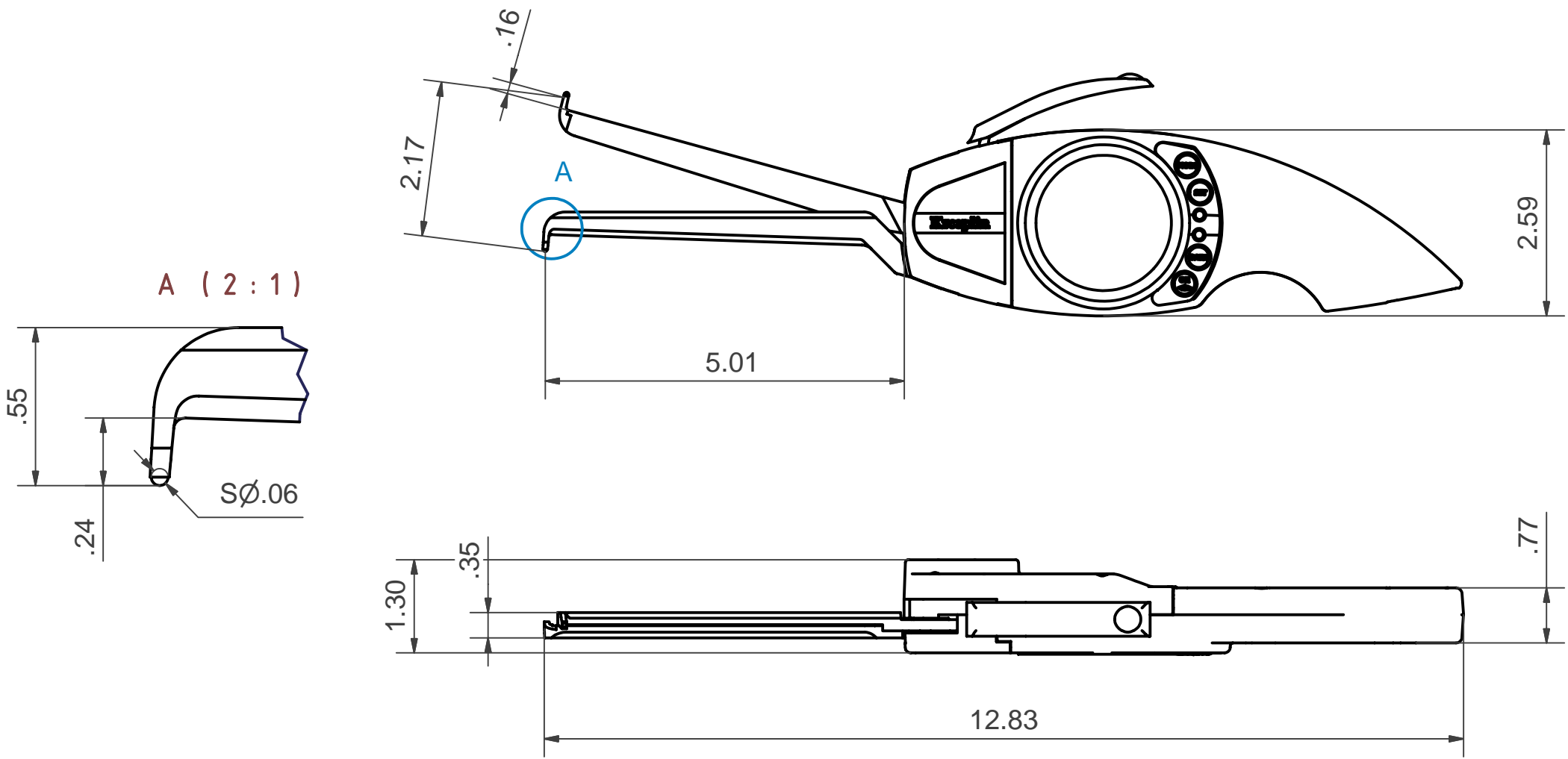


DATA SHEET: F415

Kroeplin GmbH
 Gartenstraße 50
 36381 Schlüchtern

Telefon (06661)86 0
 Telefax (06661)86 39
 sales@kroeplin.com
 www.kroeplin.com

Kroeplin
 Längenmesstechnik



SUBJECT TO TECHNICAL ALTERATIONS

SCALE: 1:2

TYPE: F	PRICECLASS: 22	RANGE OF INDICATION: .58 - 2.21 INCH	ACCEPTABLE DEVIATIONS (VDI/VDE/DGQ 2618 Bl. 12.1/13.1)	REFERENCE TEMPERATURE: 20°C
RANGE: .60 - 2.17 INCH	MEASURING FORCE: 1.2 - 1.7 N	WEIGHT: 360 g	MAX. PERMISSIBLE ERRORS: G = .002 INCH	OPERATION TEMPERATURE: 10°C - 30°C
DIGITAL STEP: .001 INCH			REPEATABILITY: r = .001 INCH	STORAGE TEMPERATURE: -10°C - 50°C

