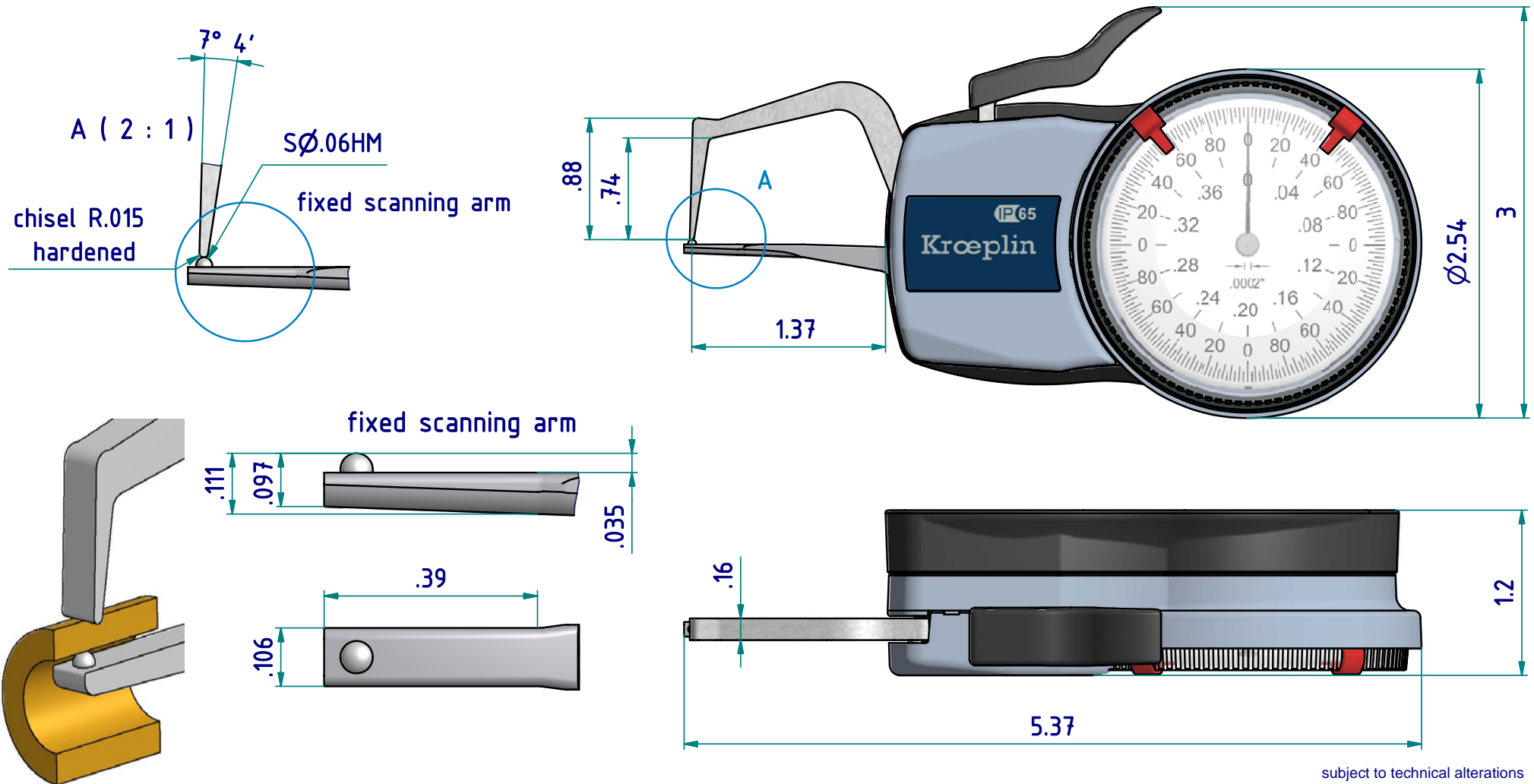


data sheet: D6R10S

Kroepelin GmbH
Gartenstraße 50
D-36381 Schlüchtern

Tel.: 06661 86 0
Fax: 06661 86 39
Mail: sales@kroepelin.com
Web: www.kroepelin.com

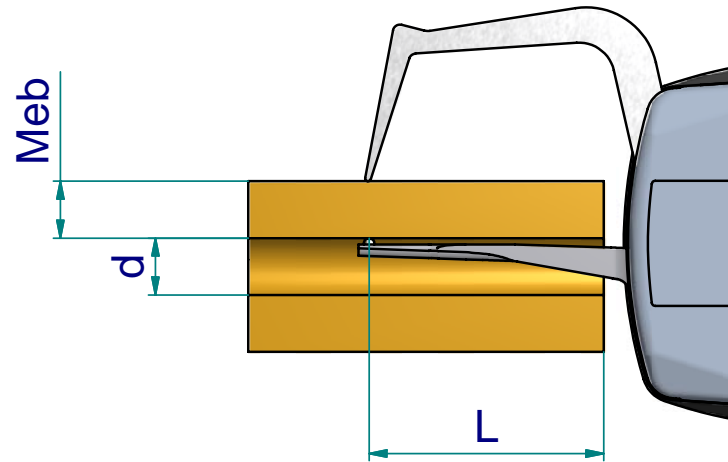
Kroepelin
Längenmesstechnik



type: D
range: 0 - .40 INCH
range of indication: 0 - .41 INCH
digital step: -
scale interval: .0002 INCH
measuring force: 0,8 - 1,2 N
weight: 170 g

acceptable deviations
VDI/VDE/DGQ 2618 Bl. 12.1/13.1)
max. permissible
errors "G": .0008 INCH
repeatability "r": .0002 INCH
reference temperature: 20° C
operation temperature: 10° C - 30° C
storage temperature: -10° C - 50° C

scale: 1:1
drawing-nr.: DAB-D6R10S_KR_I
date of issue: 12.01.09
name: T.Koenig
revision status:
revision date:



measuring capacity

internal diameter **d**
[INCH]

	measuring range Meb [INCH]									
	.04	.08	.12	.16	.20	.24	.28	.31	.35	.39
.118	.16	.14	.14	.15	.17	.19	.21	.25	.31	.42
.157	.75	.67	.67	.70	.76	.82	.85	.89	.93	.98
.197	.97	.94	.94	.95	.98	1.01	1.06	1.10	1.15	1.22
.236	1.16	1.12	1.12	1.14	1.17	1.21	1.26	1.31	1.38	1.40
.276	1.35	1.30	1.30	1.32	1.36	1.40	1.40	1.40	1.40	1.40
.315	1.40	1.40	1.40	1.40	1.40	1.40	1.40	1.40	1.40	1.40
.354	1.40	1.40	1.40	1.40	1.40	1.40	1.40	1.40	1.40	1.40
> .39	1.40	1.40	1.40	1.40	1.40	1.40	1.40	1.40	1.40	1.40
	L									

subject to technical alterations

L = maximum usable arm length
[INCH]

Example:
d = .197 Meb = .16 L = .95

drawing-nr.: DAB-D6R10S_KR_I
date of issue: 12.01.09
name: T.Koenig

revision status:
revision date: