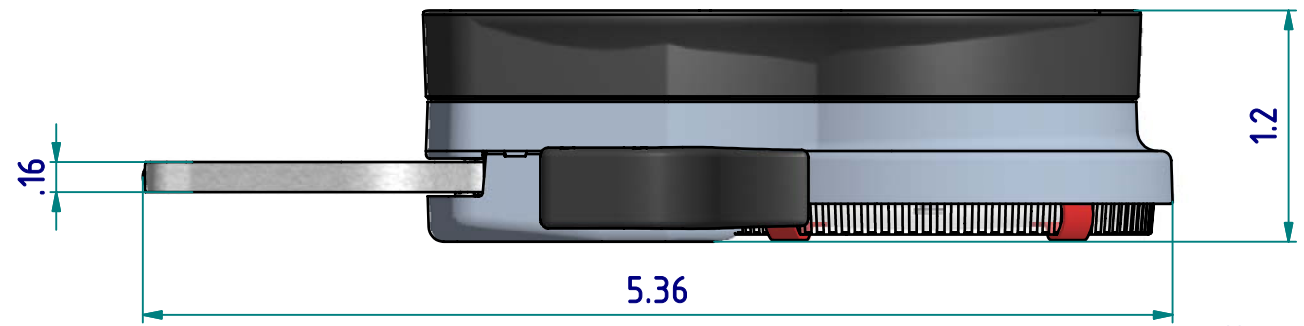
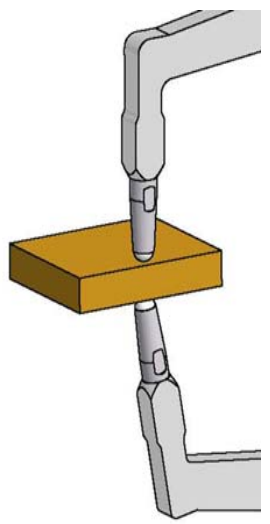
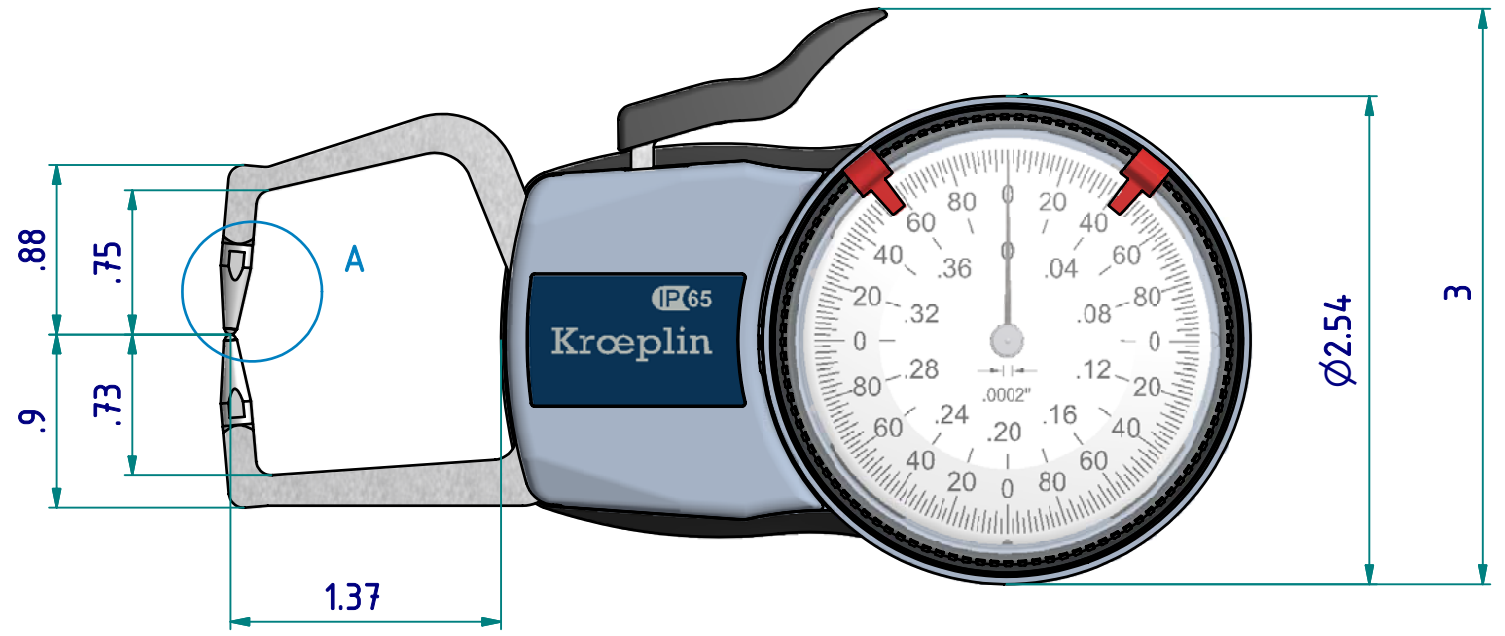
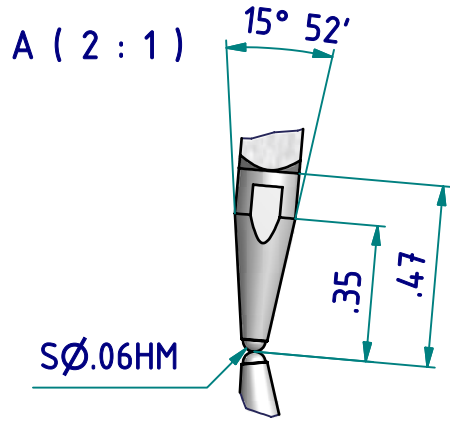


data sheet: D610

Kroepin GmbH
 Gartenstraße 50
 D-36381 Schlüchtern

Tel.: 06661 86 0
 Fax: 06661 86 39
 Mail: sales@kroepin.com
 Web: www.kroepin.com

Kroepin
 Längenmesstechnik



subject to technical alterations

type: D
range: 0 - .40 INCH
range of indication: 0 - .41 INCH
digital step: -
scale interval: .0002 INCH
measuring force: 0,8 - 1,2 N
weight: 165 g

acceptable deviations
 VDI/VDE/DGQ 2618 Bl. 12.1/13.1)
max. permissible errors "G": .0008 INCH
repeatability "r": .0002 INCH
reference temperature: 20° C
operation temperature: 10° C - 30° C
storage temperature: -10° C - 50° C

scale: 1:1
drawing-nr.: DAB-D610_KR_I
date of issue: 12.01.09
name: T.Koenig
revision status:
revision date: