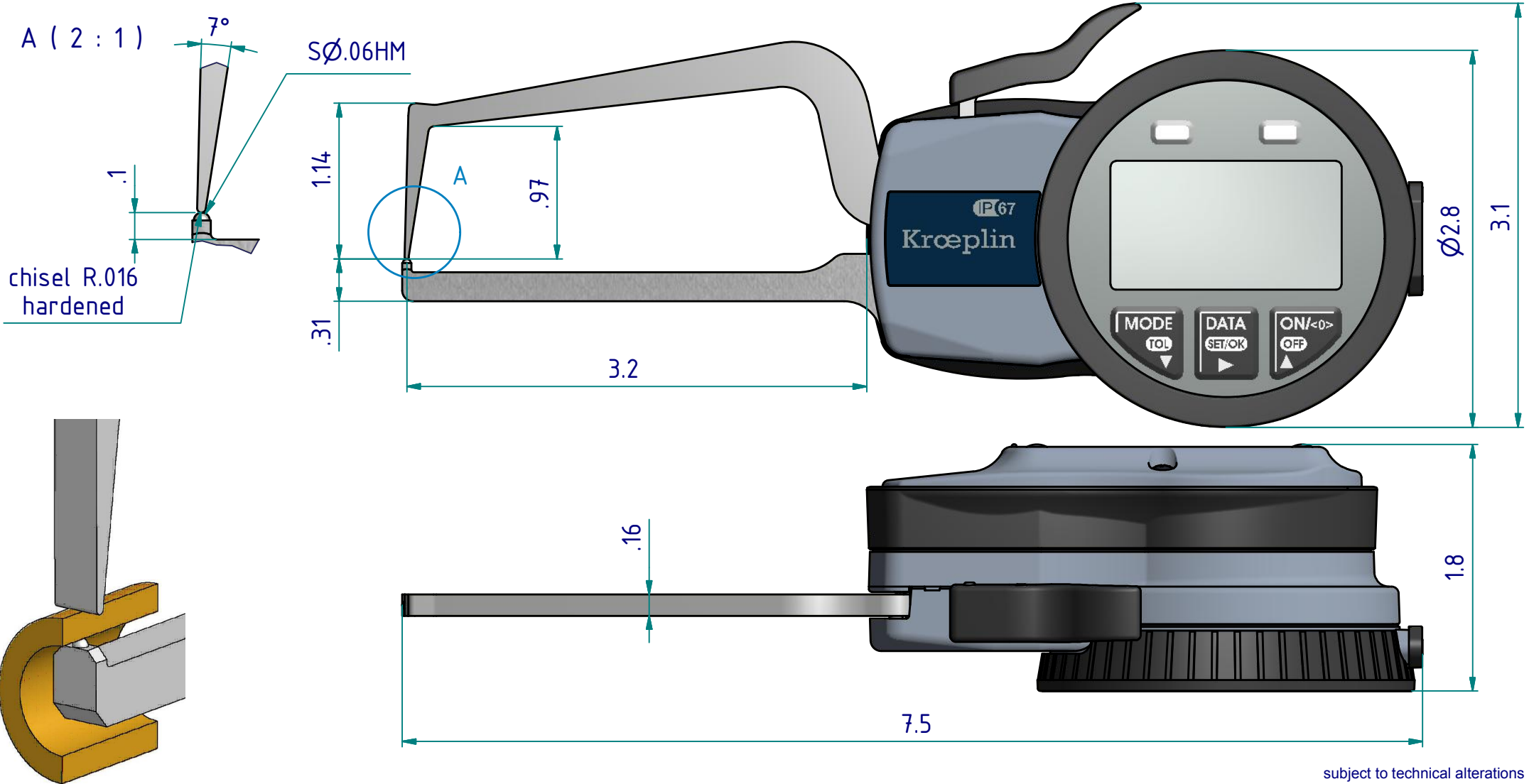


# data sheet: C2R20S

Kroepin GmbH  
Gartenstraße 50  
D-36381 Schlüchtern

Tel.: 06661 86 0  
Fax: 06661 86 39  
Mail: sales@kroepin.com  
Web: www.kroepin.com

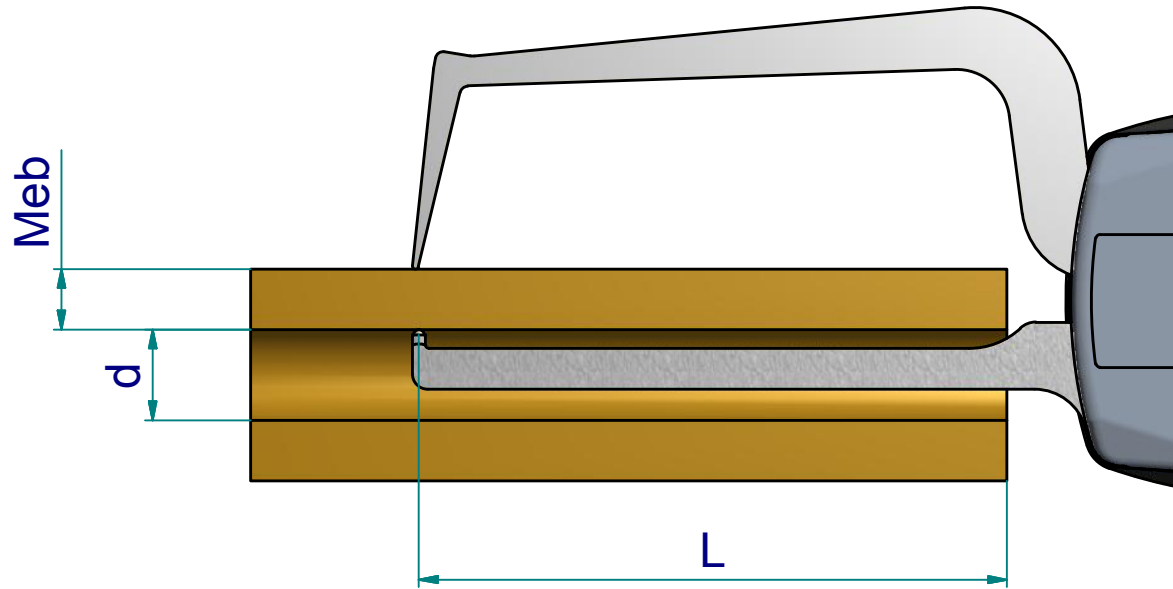
**Kroepin**  
Längenmesstechnik



**type:** C  
**range:** 0 - .79 INCH  
**range of indication:** 0 - .8070 INCH  
**digital step:** .0005 INCH  
**scale interval:** -  
**measuring force:** 1,1 - 1,6 N  
**weight:** 270 g

acceptable deviations  
VDI/VDE/DGQ 2618 Bl. 12.1/13.1)  
**max. permissible errors "G":** .0015 INCH  
**repeatability "r":** .0005 INCH  
**reference temperature:** 20° C  
**operation temperature:** 10° C - 30° C  
**storage temperature:** -10° C - 50° C

**scale:** 1:1  
**drawing-nr.:** DAB-C2R20S\_KR\_I  
**date of issue:** 06.01.09  
**name:** M. Balzer  
**revision status:**  
**revision date:**



measuring capacity

**measuring range Meb [inch]**

**Internal diameter  
 d [inch]**

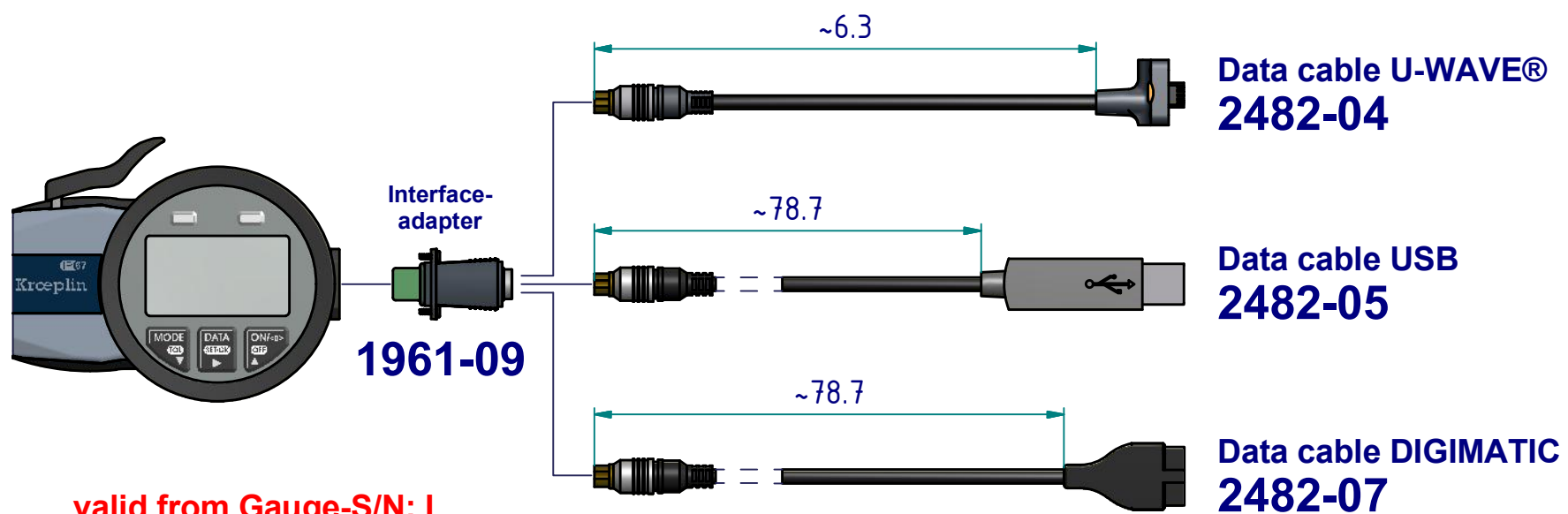
	<b>.20</b>	<b>.80</b>	<b>.16</b>	<b>.24</b>	<b>.31</b>	<b>.39</b>	<b>.47</b>	<b>.59</b>	<b>.71</b>	<b>.79</b>
<b>.40</b>	1.61	.76	.69	.73	.83	1.01	1.32	2.59	3.12	3.08
<b>.40</b>	3.26	1.62	1.46	1.55	1.76	2.14	2.79	3.16	3.12	3.08
<b>.40</b>	3.34	2.48	2.23	2.36	2.70	3.18	3.17	3.16	3.12	3.08
<b>.50</b>	3.36	3.26	3.00	3.18	3.20	3.18	3.17	3.16	3.12	3.08
<b>.50</b>	3.36	3.33	3.28	3.23	3.20	3.18	3.17	3.16	3.12	3.08
<b>.60</b>	3.36	3.37	3.28	3.23	3.20	3.18	3.17	3.16	3.12	3.08
<b>L</b>										

**L = maximum usable arm length [inch]** Example:  
 d = .40 Meb = .16 L = 2.23

subject to technical alterations

drawing-nr.: DAB-C2R20S\_KR\_I  
 date of issue: 06.01.09  
 name: M. Balzer  
 revision status:  
 revision date:

interface as accessories available:



**valid from Gauge-S/N: I**  
**Always specify serial number**  
**when ordering Interfaces or accessories!**

subject to technical alterations

drawing-nr.:	DAB-C2R20S_KR_I
date of issue:	06.01.09
name:	M. Balzer
revision status:	2043
revision date:	27.02.12