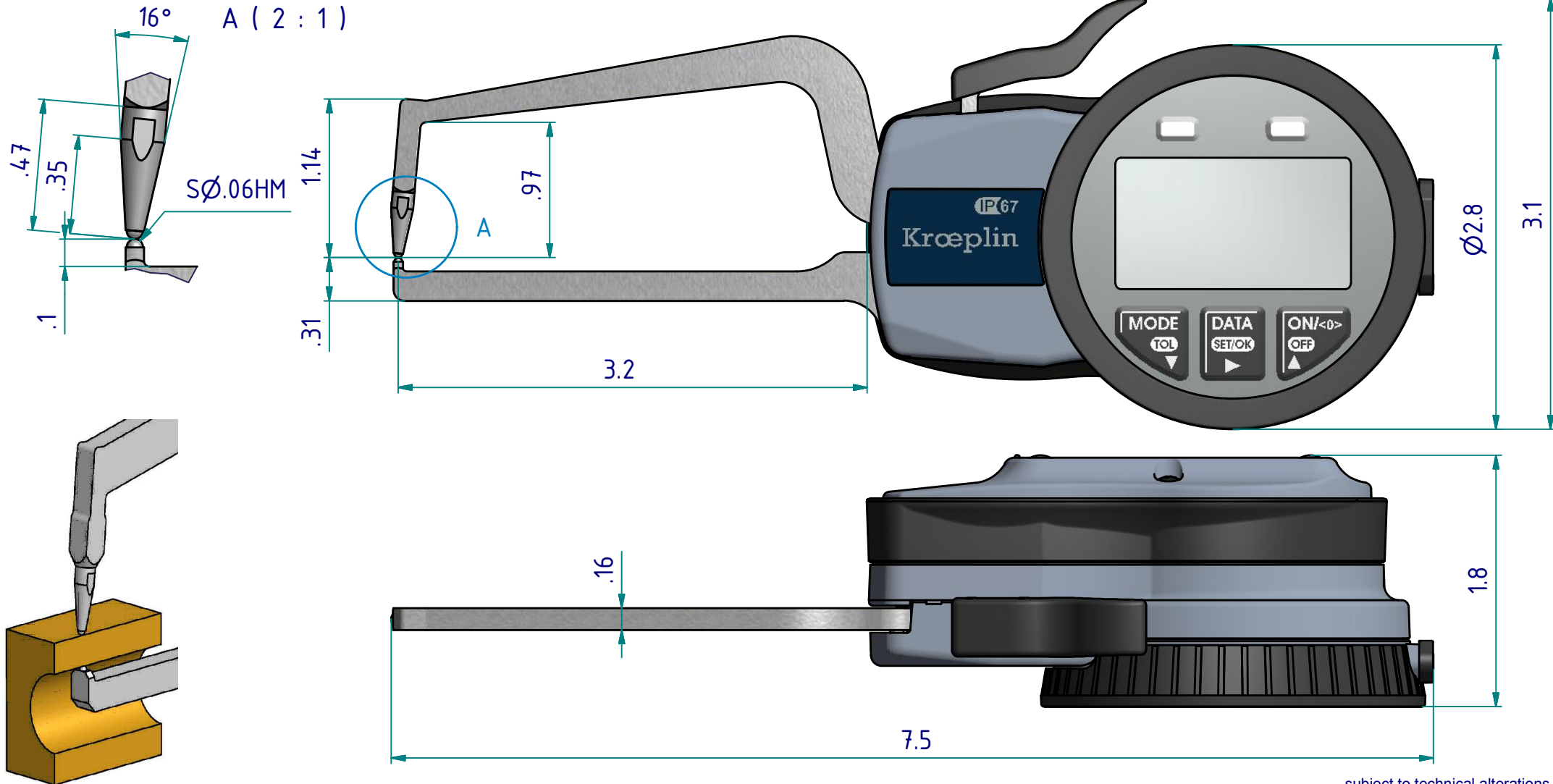


data sheet: C2R20

Kroepin GmbH
Gartenstraße 50
D-36381 Schlüchtern

Tel.: 06661 86 0
Fax: 06661 86 39
Mail: sales@kroepin.com
Web: www.kroepin.com

Kroepin
Längenmesstechnik

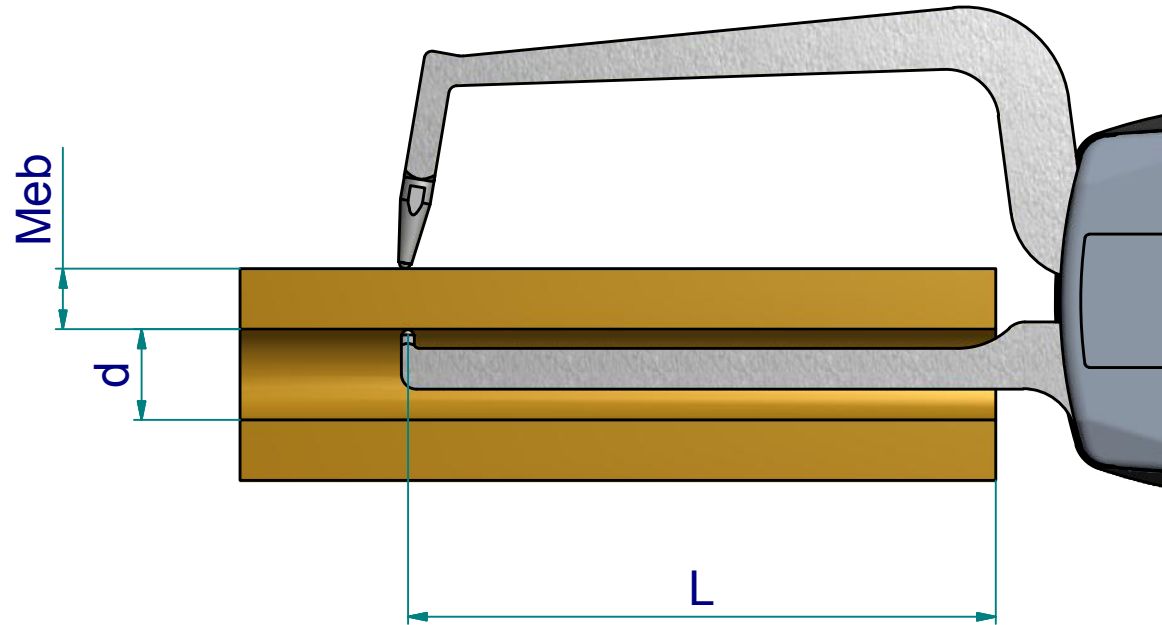


subject to technical alterations

type: C
range: 0 - .79 INCH
range of indication: 0 - .8070 INCH
digital step: .0005 INCH
scale interval: -
measuring force: 1,1 - 1,6 N
weight: 270 g

acceptable deviations
VDI/VDE/DGQ 2618 Bl. 12.1/13.1)
max. permissible
errors "G": .0015 INCH
repeatability "r": .0005 INCH
reference temperature: 20° C
operation temperature: 10° C - 30° C
storage temperature: -10° C - 50° C

scale: 1:1
drawing-nr.: DAB-C2R20_KR_I
date of issue: 06.01.09
name: M. Balzer
revision status: 001
revision date: 09.03.10



measuring capacity

measuring range Meb [inch]

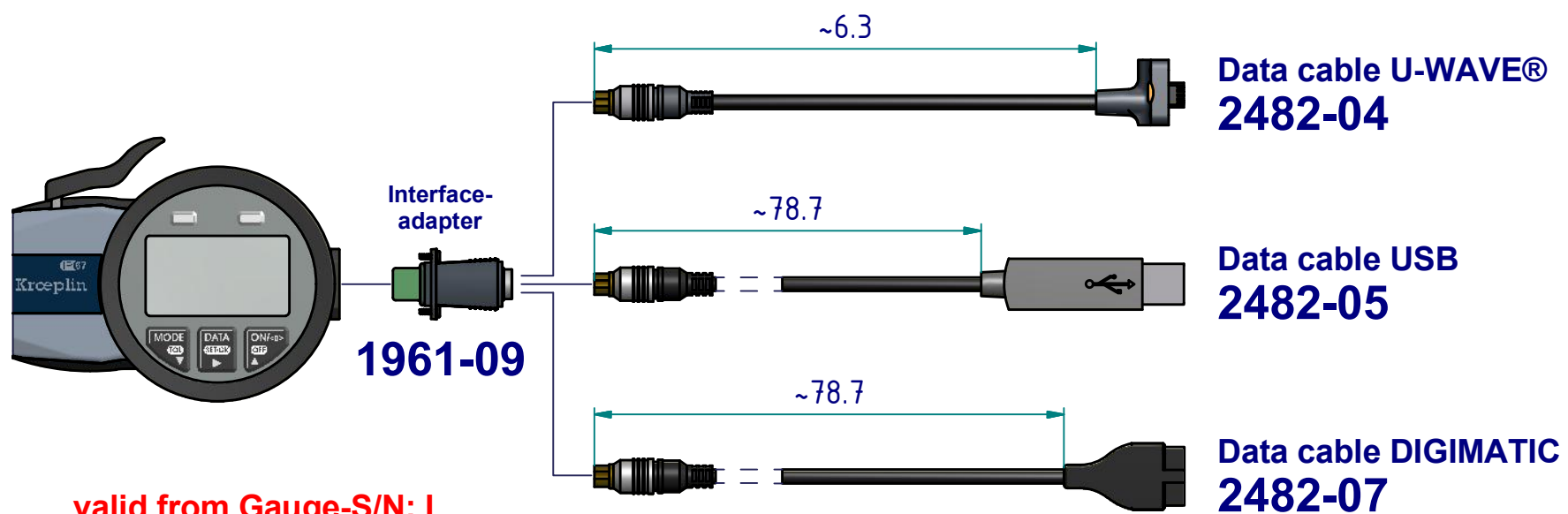
Internal diameter d [inch]	measuring range Meb [inch]									
	.20	.80	.16	.24	.31	.39	.47	.59	.71	.79
.40	1.61	.76	.69	.73	.83	1.01	1.32	2.59	3.12	3.08
.40	3.26	1.62	1.46	1.55	1.76	2.14	2.79	3.16	3.12	3.08
.40	3.34	2.48	2.23	2.36	2.70	3.18	3.17	3.16	3.12	3.08
.50	3.36	3.26	3.00	3.18	3.20	3.18	3.17	3.16	3.12	3.08
.50	3.36	3.33	3.28	3.23	3.20	3.18	3.17	3.16	3.12	3.08
.60	3.36	3.37	3.28	3.23	3.20	3.18	3.17	3.16	3.12	3.08
	L									

L = maximum usable arm length [inch] Example:
d = .40 Meb = .16 L = 2.23

subject to technical alterations

drawing-nr.: DAB-C2R20_KR_I
 date of issue: 06.01.09
 name: M. Balzer
 revision status:
 revision date:

interface as accessories available:



valid from Gauge-S/N: I
Always specify serial number
when ordering Interfaces or accessories!

subject to technical alterations

drawing-nr.:	DAB-C2R20_KR_I
date of issue:	06.01.09
name:	M. Balzer
revision status:	2043
revision date:	27.02.12