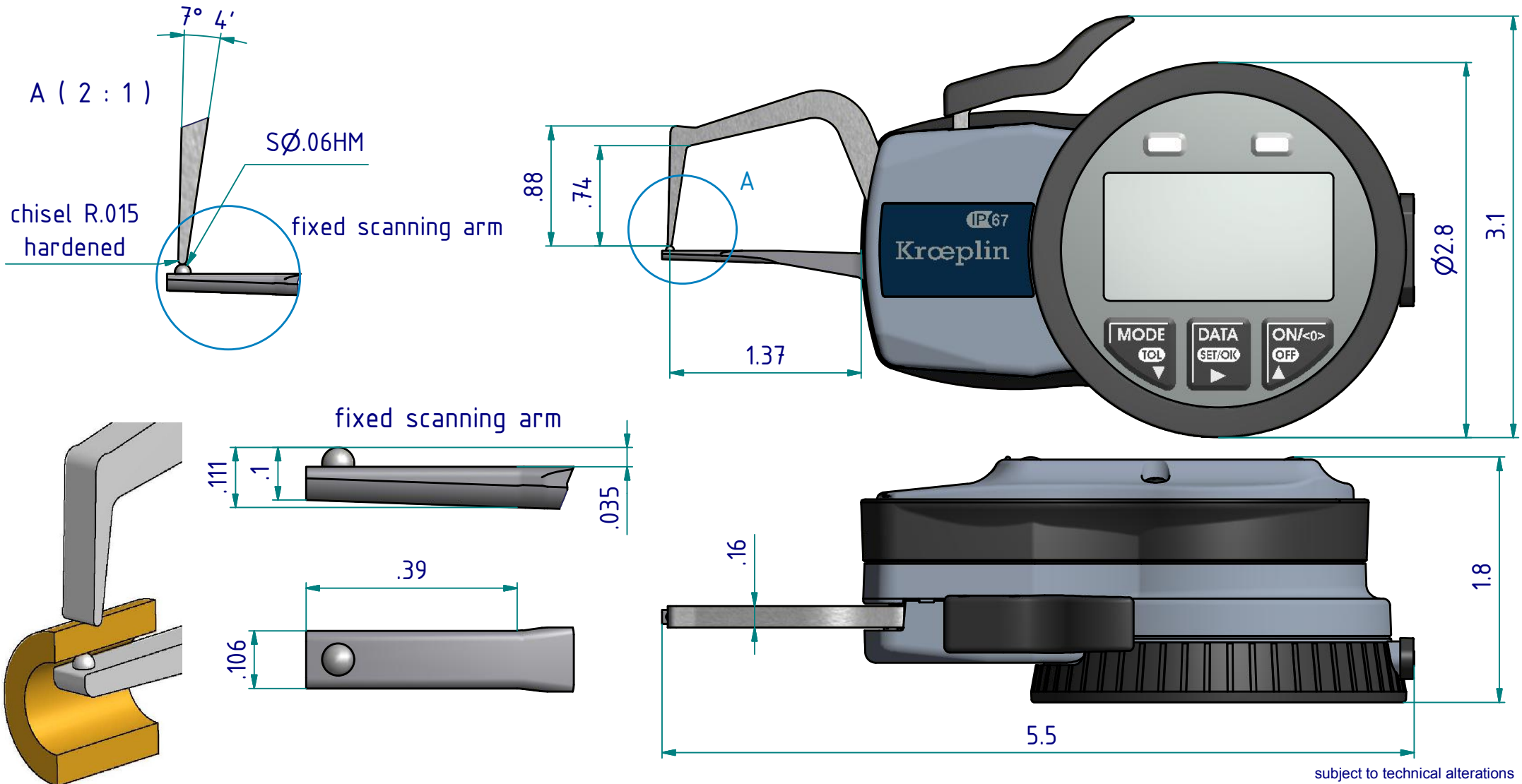


# data sheet: C1R10S

Kroepin GmbH  
Gartenstraße 50  
D-36381 Schlüchtern

Tel.: 06661 86 0  
Fax: 06661 86 39  
Mail: sales@kroepin.com  
Web: www.kroepin.com

**Kroepin**  
Längenmesstechnik

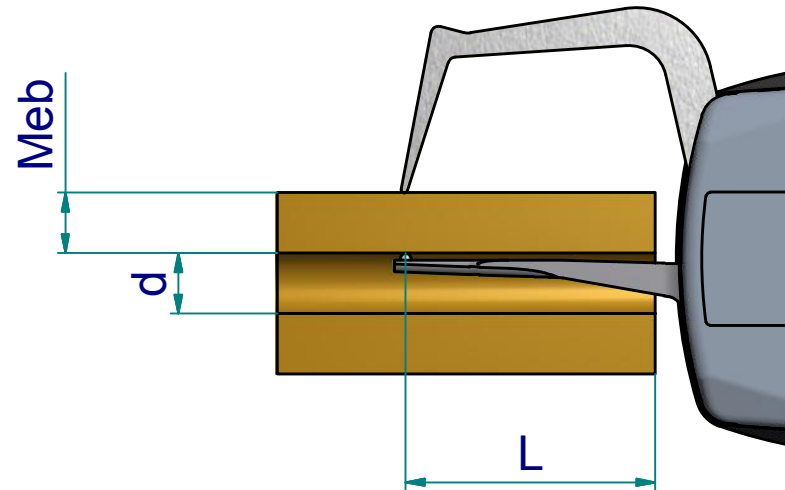


subject to technical alterations

**type:** C  
**range:** 0 - .39 INCH  
**range of indication:** 0 - .4134 INCH  
**digital step:** .0002 INCH  
**scale interval:** -  
**measuring force:** 0,8 - 1,2 N  
**weight:** 240 g

acceptable deviations  
 VDI/VDE/DGQ 2618 Bl. 12.1/13.1)  
**max. permissible errors "G":** .0008 INCH  
**repeatability "r":** .0002 INCH  
**reference temperature:** 20° C  
**operation temperature:** 10° C - 30° C  
**storage temperature:** -10° C - 50° C

**scale:** 1:1  
**drawing-nr.:** DAB-C1R10S\_KR\_I  
**date of issue:** 06.01.09  
**name:** M. Balzer  
**revision status:** 001  
**revision date:** 09.03.10



measuring capacity

**measuring range Meb [inch]**

**Internal diameter d [inch]**

|     | .04      | .08  | .12  | .16  | .20  | .24  | .28  | .31  | .35  | .39  |
|-----|----------|------|------|------|------|------|------|------|------|------|
| .10 | .16      | .14  | .14  | .15  | .17  | .19  | .21  | .25  | .31  | .42  |
| .20 | .75      | .67  | .67  | .70  | .76  | .82  | .85  | .89  | .93  | .98  |
| .20 | .97      | .94  | .94  | .95  | .98  | 1.01 | 1.06 | 1.10 | 1.15 | 1.22 |
| .20 | 1.16     | 1.12 | 1.12 | 1.14 | 1.17 | 1.21 | 1.26 | 1.31 | 1.38 | 1.40 |
| .30 | 1.35     | 1.30 | 1.30 | 1.32 | 1.36 | 1.40 | 1.40 | 1.40 | 1.40 | 1.40 |
| .30 | 1.40     | 1.40 | 1.40 | 1.40 | 1.40 | 1.40 | 1.40 | 1.40 | 1.40 | 1.40 |
| .40 | 1.40     | 1.40 | 1.40 | 1.40 | 1.40 | 1.40 | 1.40 | 1.40 | 1.40 | 1.40 |
| .40 | 1.40     | 1.40 | 1.40 | 1.40 | 1.40 | 1.40 | 1.40 | 1.40 | 1.40 | 1.40 |
|     |          |      |      |      |      |      |      |      |      |      |
|     | <b>L</b> |      |      |      |      |      |      |      |      |      |

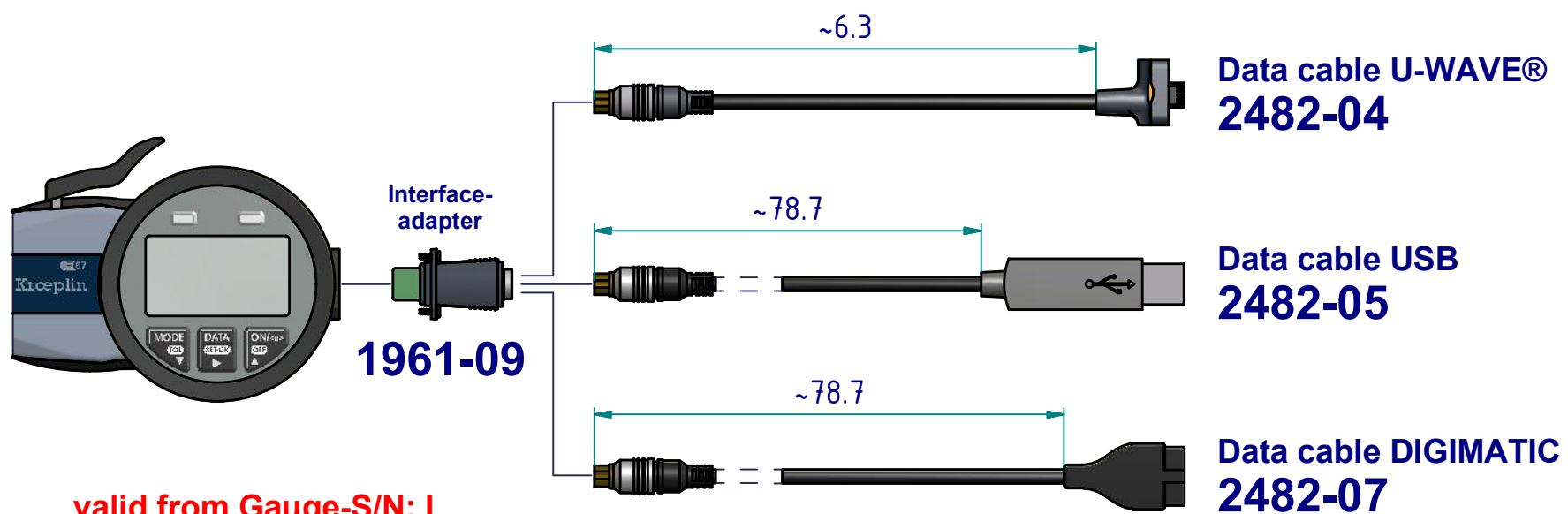
**L = maximum usable arm length [inch]**

**Example:**  
 d = .20 Meb = .16 L = .95

subject to technical alterations

drawing-nr.: DAB-C1R10S\_KR\_I  
 date of issue: 06.01.09  
 name: M. Balzer  
 revision status:  
 revision date:

interface as accessories available:



**valid from Gauge-S/N: I**  
**Always specify serial number**  
**when ordering Interfaces or accessories!**

subject to technical alterations

|                  |                 |
|------------------|-----------------|
| drawing-nr.:     | DAB-C1R10S_KR_I |
| date of issue:   | 06.01.09        |
| name:            | M. Balzer       |
| revision status: | 2043            |
| revision date:   | 27.02.12        |