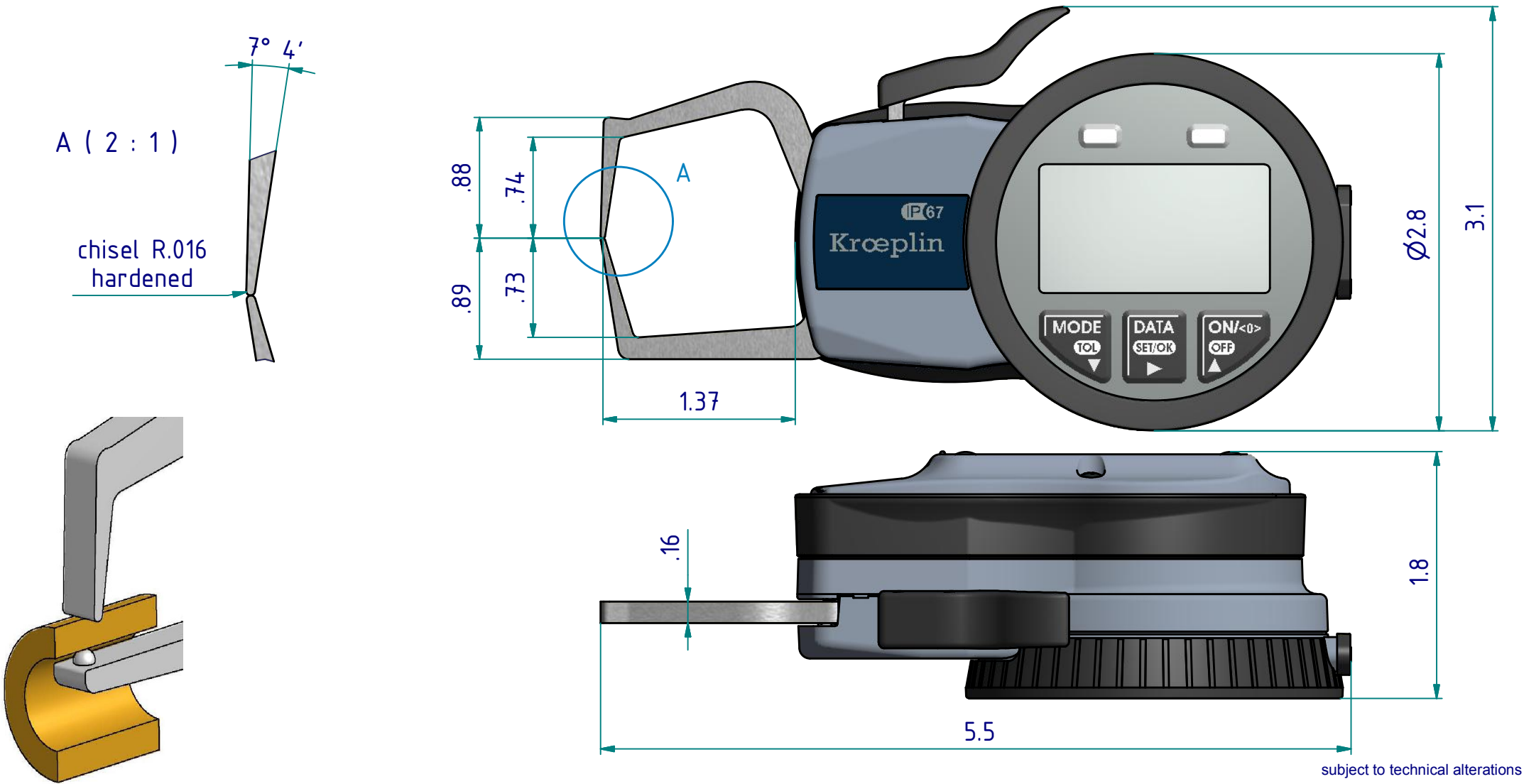


# data sheet: C110S

Kroepin GmbH  
Gartenstraße 50  
D-36381 Schlüchtern

Tel.: 06661 86 0  
Fax: 06661 86 39  
Mail: sales@kroepin.com  
Web: www.kroepin.com

**Kroepin**  
Längenmesstechnik



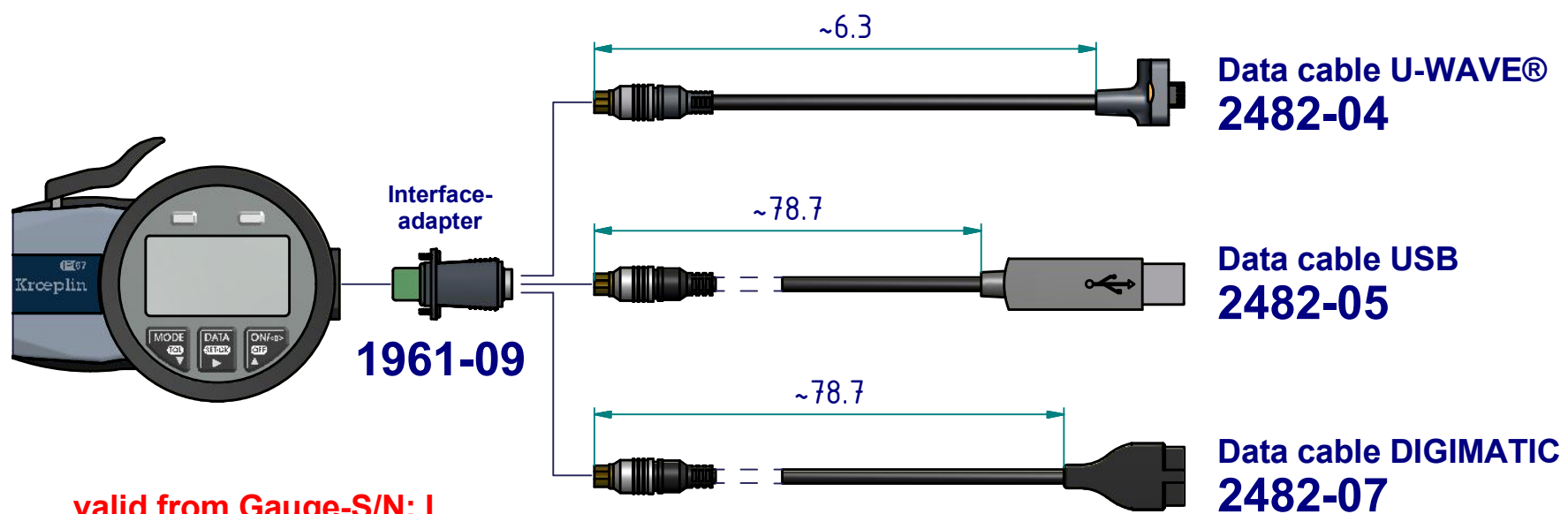
subject to technical alterations

**type:** C  
**range:** 0 - .40 INCH  
**range of indication:** 0 - .4134 INCH  
**digital step:** .0002 INCH  
**scale interval:** -  
**measuring force:** 0,8 - 1,2 N  
**weight:** 240 g

acceptable deviations  
VDI/VDE/DGQ 2618 Bl. 12.1/13.1)  
**max. permissible errors "G":** .0008 INCH  
**repeatability "r":** .0002 INCH  
**reference temperature:** 20° C  
**operation temperature:** 10° C - 30° C  
**storage temperature:** -10° C - 50° C

**scale:** 1:1  
**drawing-nr.:** DAB-C110S\_KR\_I  
**date of issue:** 19.03.09  
**name:** T.Koenig  
**revision status:** 001  
**revision date:** 09.03.10

interface as accessories available:



**valid from Gauge-S/N: I**  
**Always specify serial number**  
**when ordering Interfaces or accessories!**

subject to technical alterations

drawing-nr.:	DAB-C110S_KR_I
date of issue:	19.03.09
name:	T.Koenig
revision status:	2043
revision date:	27.02.12