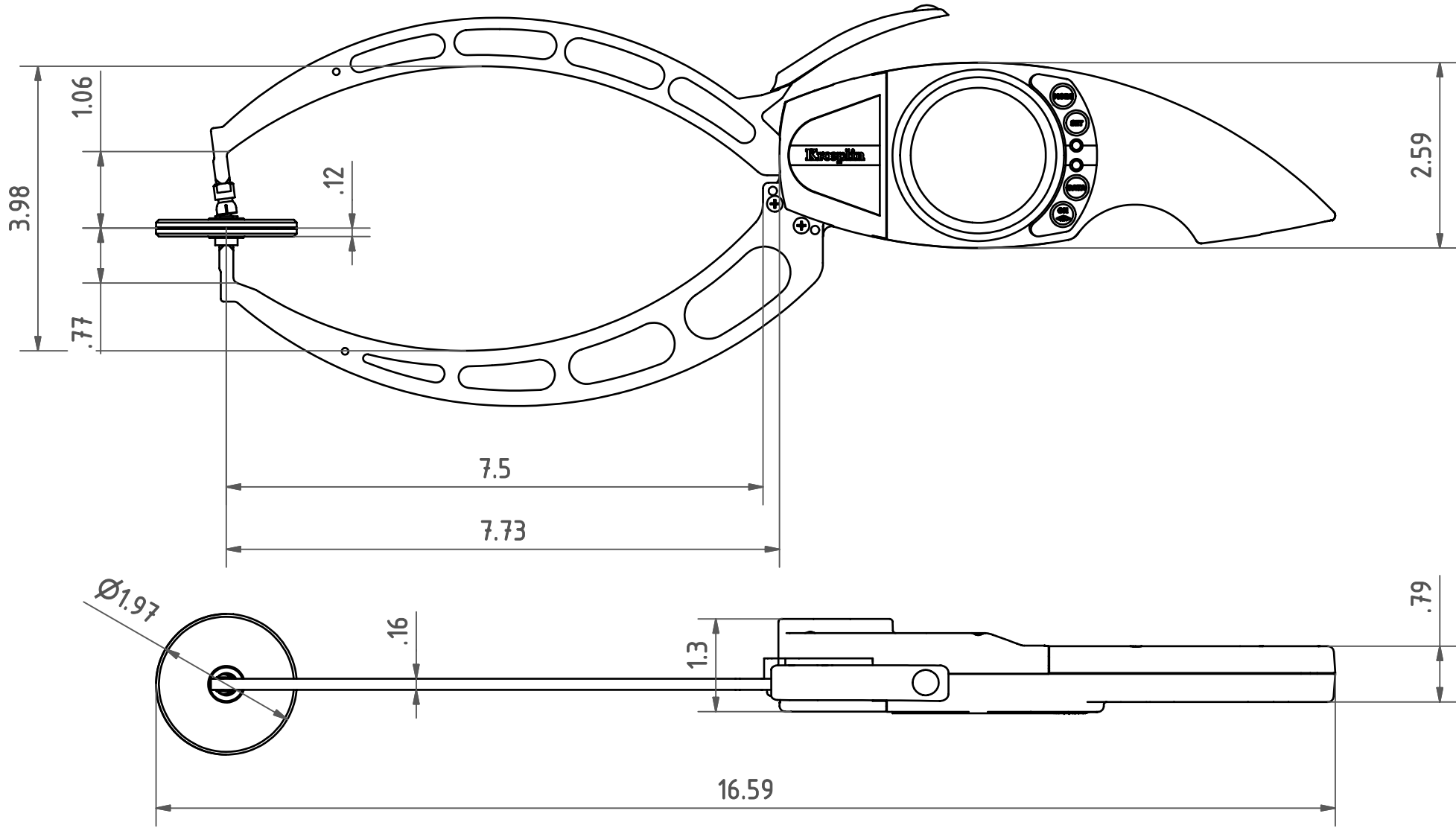


# DATA SHEET: B660T

Kroeplin GmbH  
 Gartenstraße 50  
 36381 Schlüchtern

Telefon (06661)86 0  
 Telefax (06661)86 39  
 sales@kroeplin.com  
 www.kroeplin.com

**Kroeplin**  
 Längenmesstechnik



SUBJECT TO TECHNICAL ALTERATIONS

SCALE: 1:2

TYPE: B  
 RANGE: 0 - 2.36"  
 DIGITAL STEP: .001"

PRICECLASS: 26  
 RANGE: 0 - 2.36"  
 .001"

RANGE OF INDICATION: 0 - 2.4"  
 MEASURING FORCE: 0,6-1,0N  
 WEIGHT: 470 g

ACCEPTABLE DEVIATIONS (VDI/VDE/DGQ 2618 Bl. 12.1/13.1)  
 MAX. PERMISSIBLE ERRORS: G = .004"  
 REPEATABILITY: r = .003"

REFERENCE TEMPERATURE: 20°C  
 OPERATION TEMPERATURE: 10°C - 30°C  
 STORAGE TEMPERATURE: -10°C - 50°C