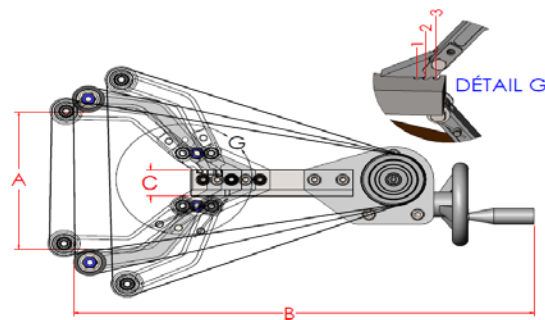
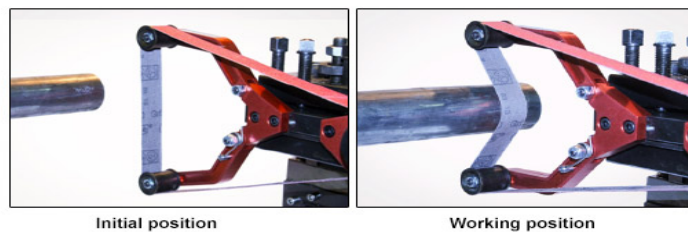


1775 Meyerside Drive, Unit 1, Mississauga, ON L5T 1E2  
 Tel: 905-696-8582 Fax: 905-696-8835 Toll free: 1-800-668-4803

## New Product Promotion

Forward is pleased to announce a new safety product for your lathe sanding operations. Holding strips of sanding paper over a rotating bar in a lathe chuck is not the most safe or efficient way to perform that task. Introducing the **SANDING BELT HOLDER** a product manufactured in Canada by a renowned supplier of guards and work safety equipment for industrial machinery. Set it up in your tool post and sand accurately and safely.



Model	Positions	A	B	C	Belt
MST SBH 1.0	1	6 -1/2"	13-1/4"	1"	1"x30"
	2	5"	14"	1"	1"x30"
	3	4"	14-1/4"	1"	1"x30"
MST SBH 2.0	1	8-5/8"	14-5/8"	1"	2"x36"
	2	7-1/4"	15-5/8"	1"	2"x36"
	3	6-5/32"	16-5/8"	1"	2"x36"
MST SBH 4.0	1	16-5/8"	14-3/8"	1"	4"x54"
	2	14-7/8"	19-1/8"	1"	4"x54"
	3	13-1/2"	20-3/8"	1"	4"x54"

Three sizes to suit all your applications: *ASK for a free demonstration in your plant!!*



MST-SBH1.0

**1"x30" Belt**



MST-SBH2.0

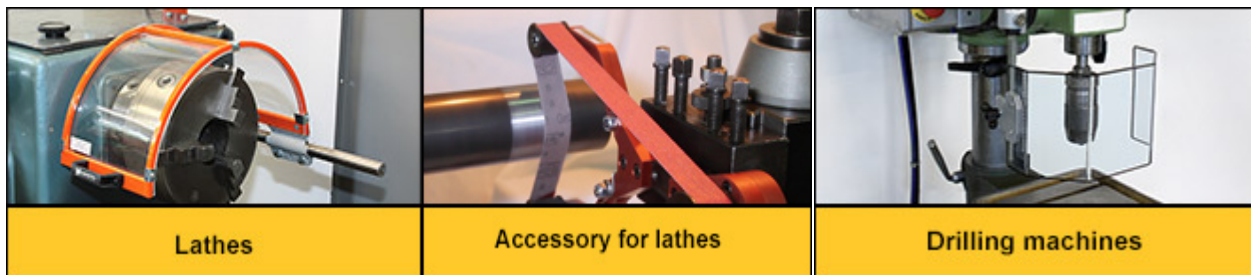
**2"x36" Belt**



MST-SBH4.0

**4"x54" Belt**

Please ask about our safety guards for lathes, mills, drills, grinders and other machinery.



Forward Precision Tools and Machinery 1775 Meyerside Drive E Unit 1 Mississauga ON L5T 1E2

T. (905)696-8582 F. (905)696-8835 [www.forwardprecision.com](http://www.forwardprecision.com) e Mail: info@forwardprecision.com